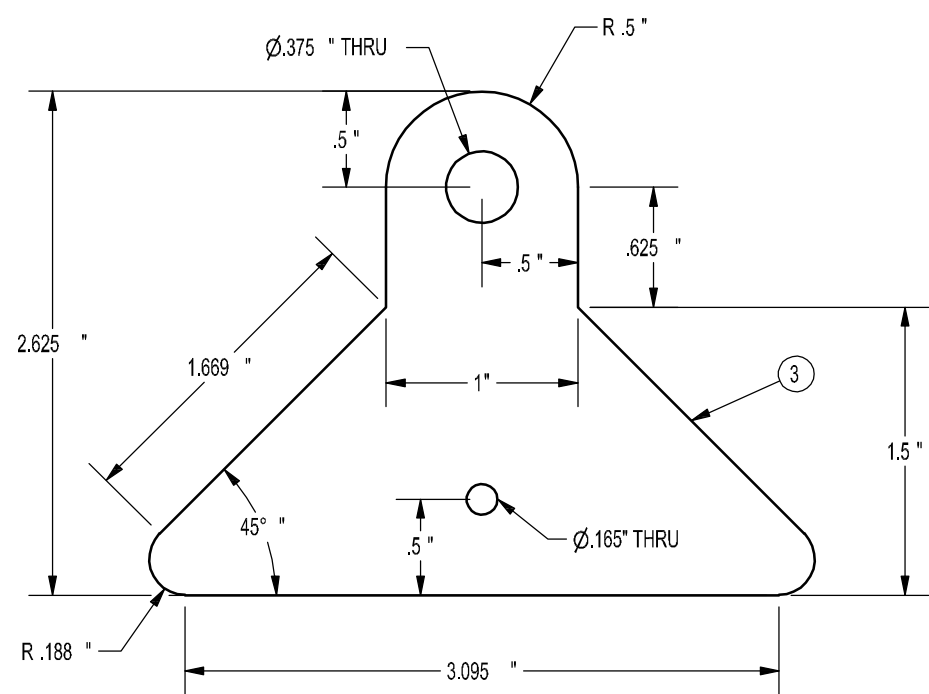


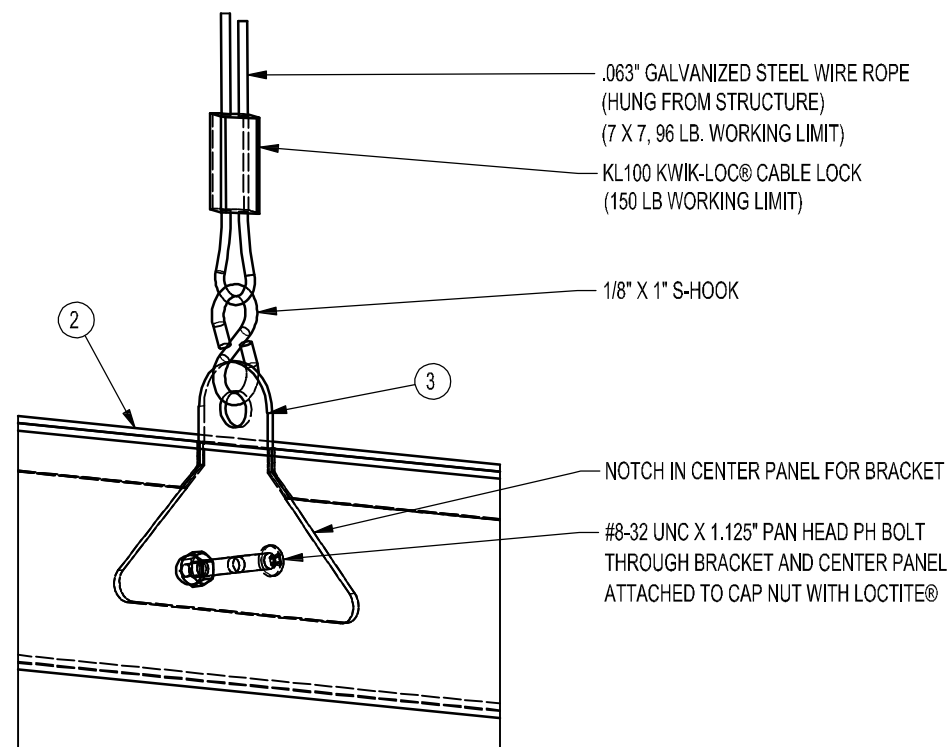
FRONT VIEW
 SCALE 1" = 1'

HORIZONTAL BANNER GENERAL NOTES

- 1) CENTER PANEL TO BE .080" WHITE STYRENE® WITH HIGH RESOLUTION SIX COLOR PROCESS DIGITAL ARTWORK DIRECT PRINTED TO PANEL SURFACE WITH UV STABLE INKS. PANEL SHALL BE NOTCHED TO ACCOMMODATE HANGING BRACKET. (SEE SHEET ID6.0B FOR DETAILS)
- 2) TOP TRIM PIECES TO BE .5" MDF. ALL SURFACES OF TOP TRIM FACES TO BE ONE CONTINUOUS PIECE OF .040" BRUSHED ALUMINUM DF-1. REAR FACE OF TOP TRIM TO BE NOTCHED TO ACCOMMODATE CENTER PANEL AND HANGING BRACKET. (SEE SHEET ID6.0B FOR DETAILS)
- 3) HANGING BRACKET TO BE .080" ALUMINUM 5052-H32. BRACKET SHALL BE INSET INTO NOTCH IN CENTER PANEL AND SANDWICHED BETWEEN TOP TRIM PIECES WITH #8-32 UNC X 1.125" BOLTS THROUGH ALL COMPONENTS. (SEE HANGING BRACKET FRONT VIEW)
- 4) PATTERN SHALL BE IDENTICAL ON BOTH SIDES.



HANGING BRACKET FRONT VIEW
 SCALE 1" = 1"



DETAIL A

HORIZONTAL BANNER HAS BEEN CUSTOMIZED TO WORK WITH 12' TO 14' CEILING HEIGHTS IN CERTAIN STORE APPLICATIONS

Horizontal Banner

DeCA
 Adaptive Uniform Decor Package

Defense Commissary Agency
 Lackland AFB, Texas
 Fort Lee, Virginia



ID6.0C