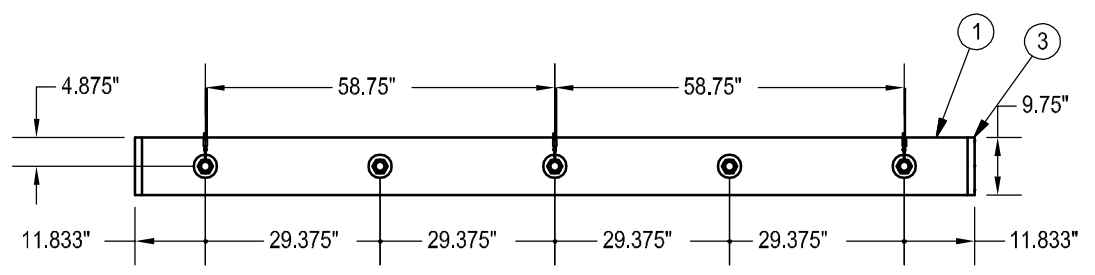
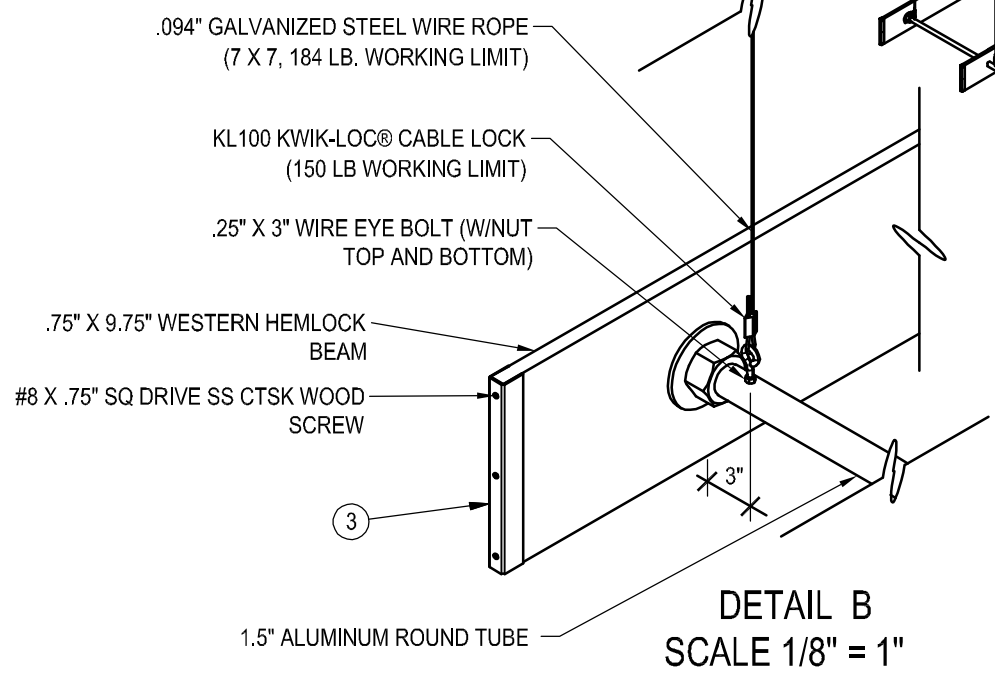


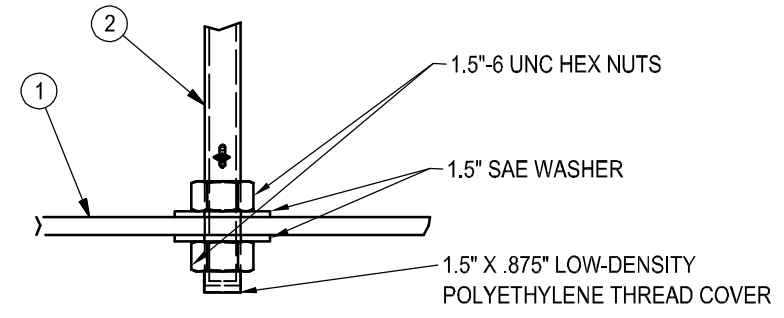
TOP VIEW
 SCALE 3/8" = 1'



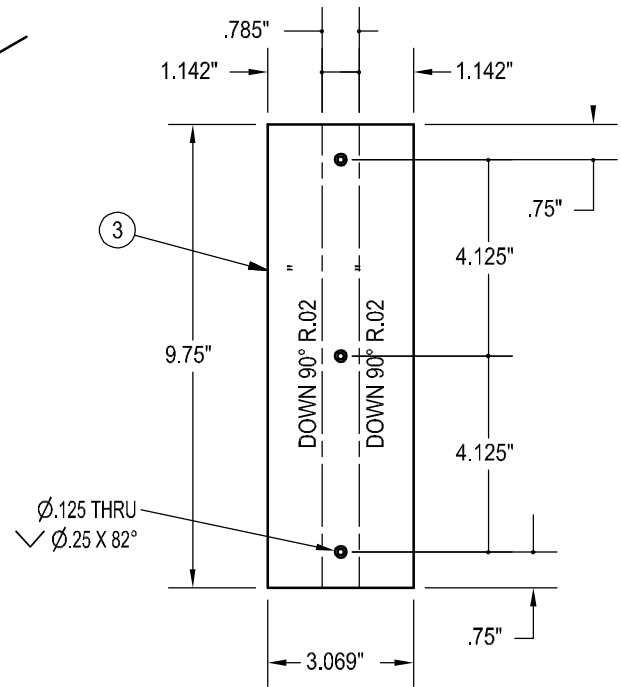
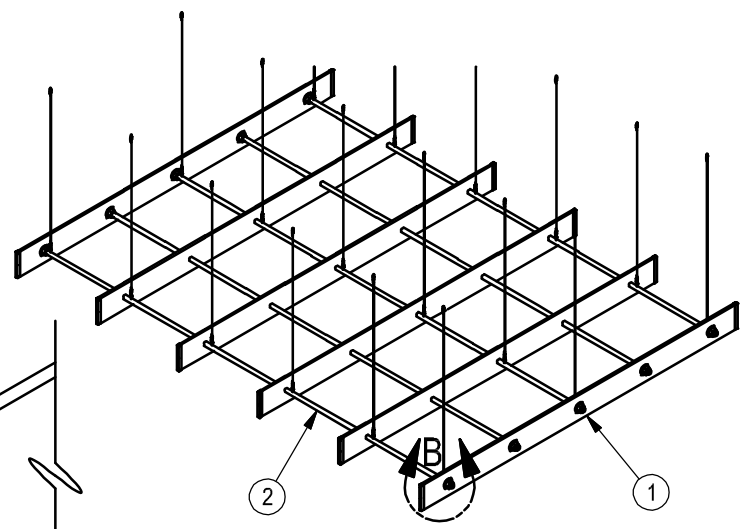
FRONT VIEW
 SCALE 3/8" = 1'



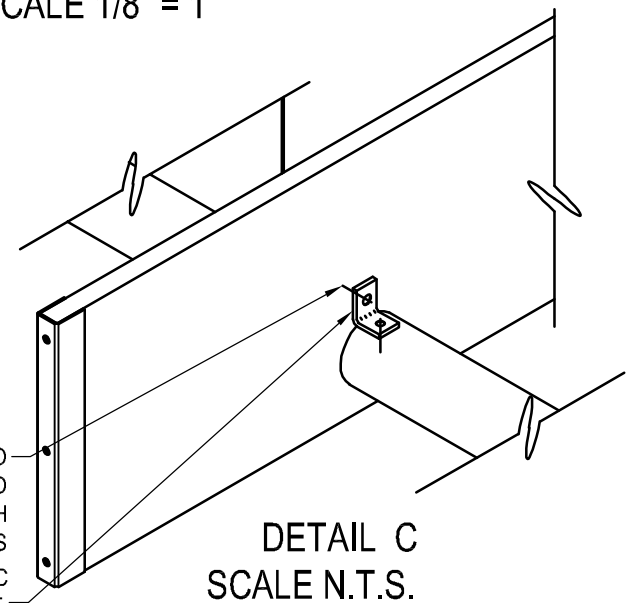
DETAIL B
 SCALE 1/8" = 1"



DETAIL A
 SCALE 1/8" = 1"



END CAP FLAT PATTERN
 SCALE 1/4" = 1"



DETAIL C
 SCALE N.T.S.

ATTACH BRACE TO HEMLOCK BEAM AND ALUMINUM TUBE WITH SCREWS
 .75"x.75"x.5"W STEEL ZINC PLATED CORNER BRACE, THICKNESS .07"

PRODUCE DECOR GRID GENERAL NOTES

- 1) BEAMS TO BE .75" X 9.75" WESTERN HEMLOCK STAINED TO MATCH PL-1.
- 2) CONNECTING RODS TO BE 1-1/2" ALUMINUM 6061-T6 ROUND TUBE WITH 1.5"-6 UNC X 5" THREADS AT EACH END. ALUMINUM TUBE AND ALL HARDWARE TO BE PAINTED M-3.
- 3) .063" FORMED ALUMINUM 5052-H32 END CAPS TO HAVE MILL/BRUSHED FINISH.
- 4) .75"x.75"x.5"W (.07" THICK) STEEL ZINC PLATED CORNER BRACE ATTACHED TO ALUMINUM TUBE AND HEMLOCK BEAM WITH SCREWS.

Produce Decor Grid

DeCA
 Adaptive Uniform Decor Package

Defense Commissary Agency
 Lackland AFB, Texas
 Fort Lee, Virginia



ID5.8