

HOLE TABLE			
HOLE	XDIM	YDIM	DESCRIPTION
A1	8.74	-14.74	Ø.25 ∇.063
A2	3.99	-14.74	Ø.25 ∇.063
B1	1.55	-12.15	Ø.192 ∇.063
B2	.43	-12.15	Ø.192 ∇.063
B3	1.56	-3.65	Ø.192 ∇.063
B4	.43	-3.65	Ø.192 ∇.063
C1	.37	-1.50	Ø.15 ∇.063
C2	.37	-.50	Ø.15 ∇.063

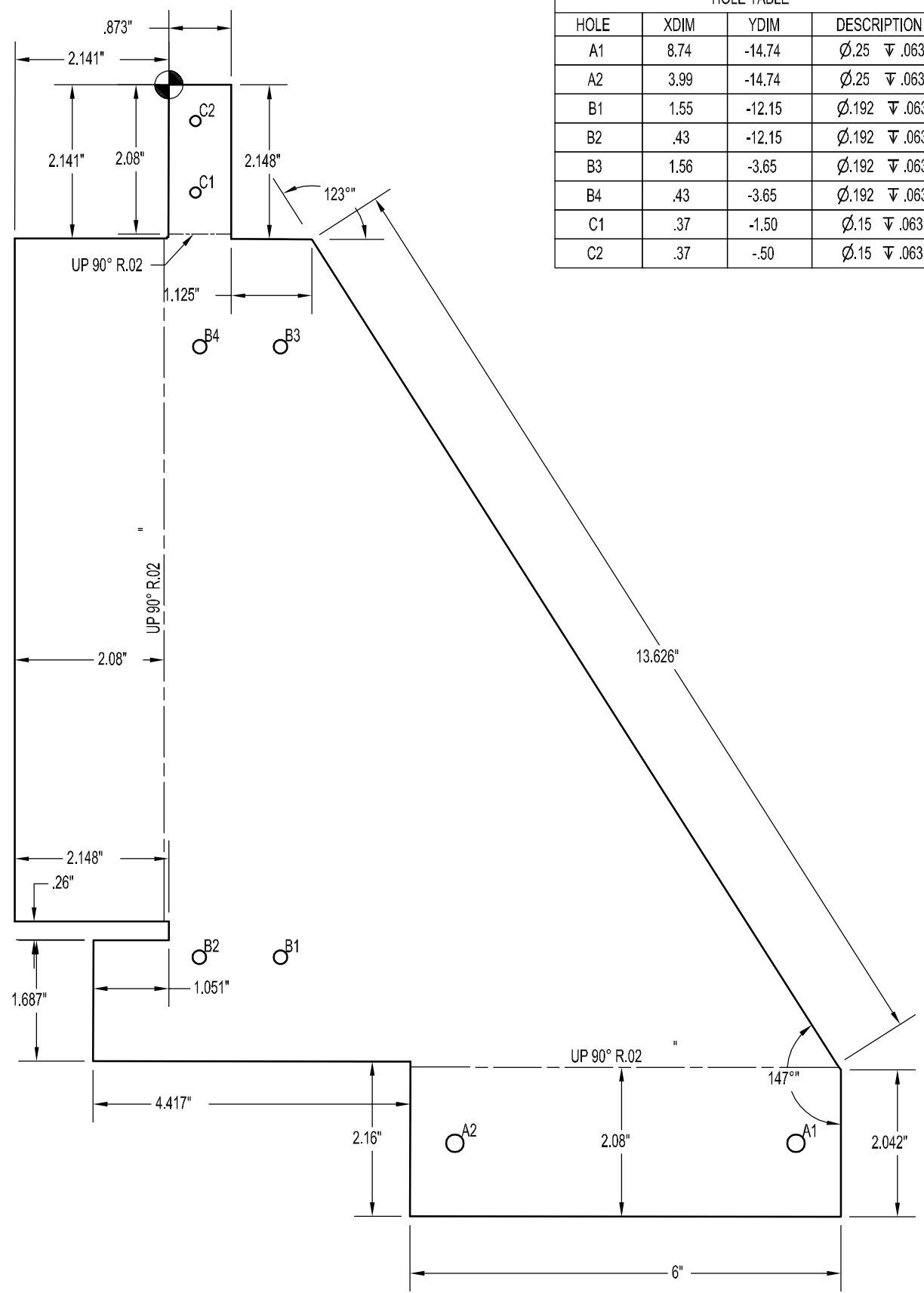
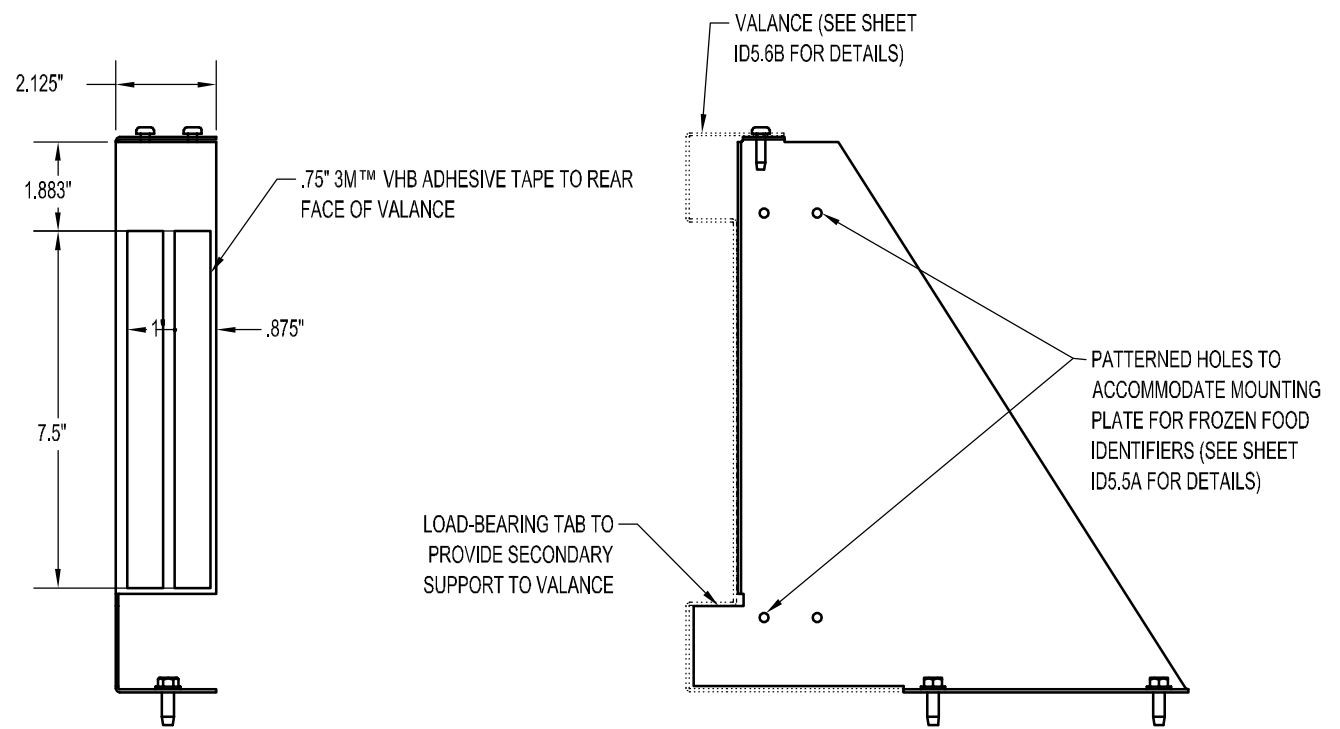
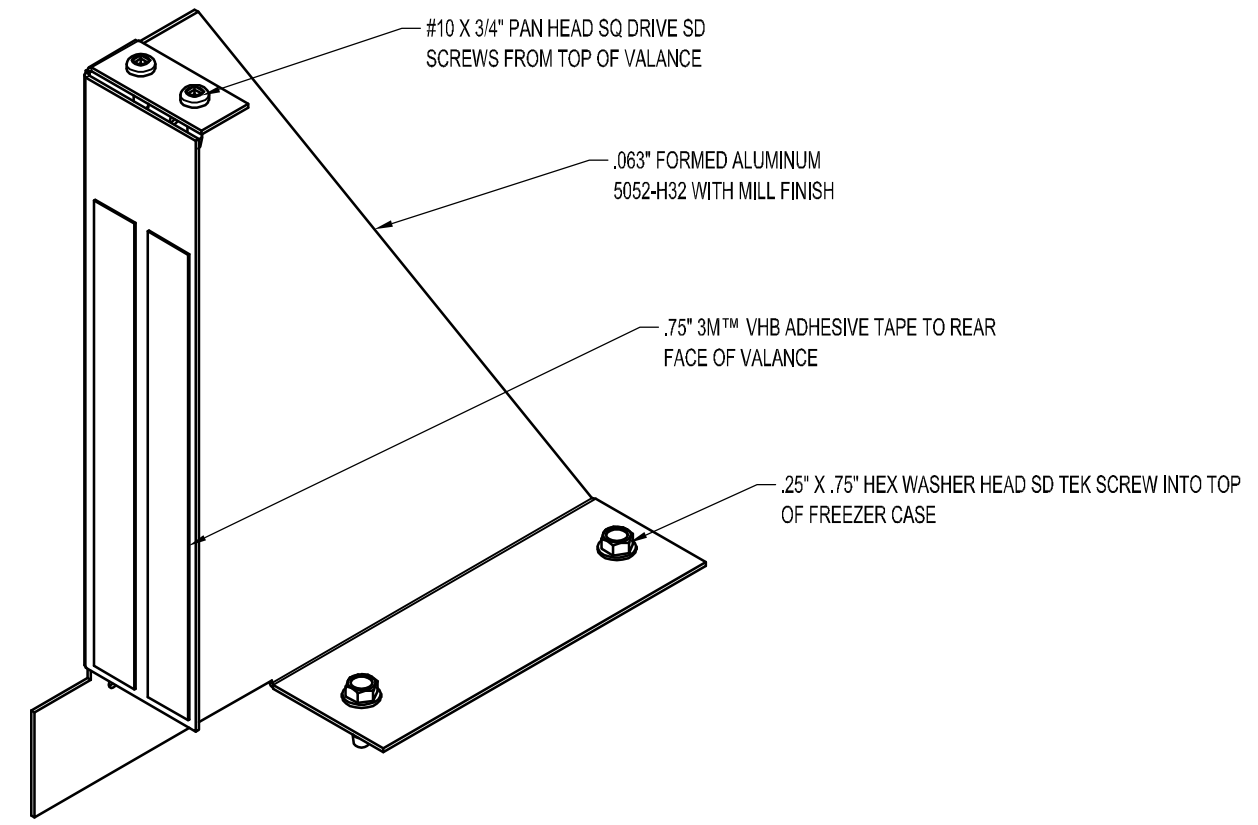
© COPYRIGHT 2012
 THIS DOCUMENT IS THE PROPERTY OF THE DEFENSE COMMISSARY AGENCY AND NO PART HEREIN SHALL BE USED WITHOUT THE CONSENT OF THE DEFENSE COMMISSARY AGENCY

Frozen Food Valance

Mounting Bracket

DeCA
 Adaptive Uniform Decor Package
 Defense Commissary Agency
 Lackland AFB, Texas
 Fort Lee, Virginia

 ID5.6E



FLAT PATTERN
 SCALE 1/2" = 1"