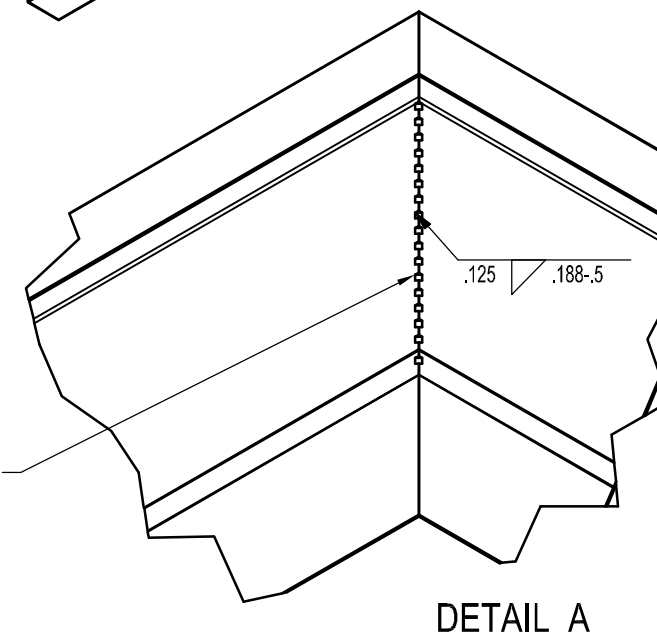
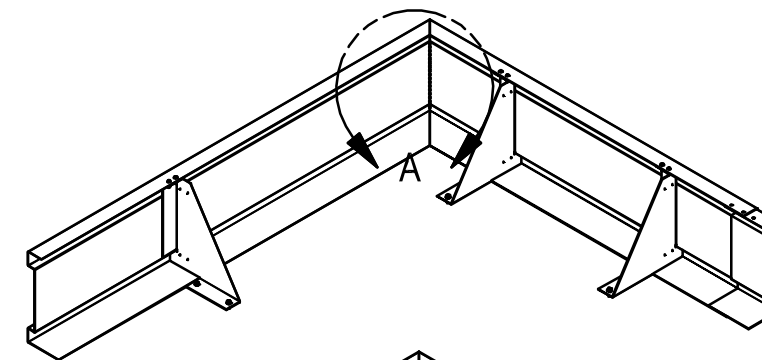
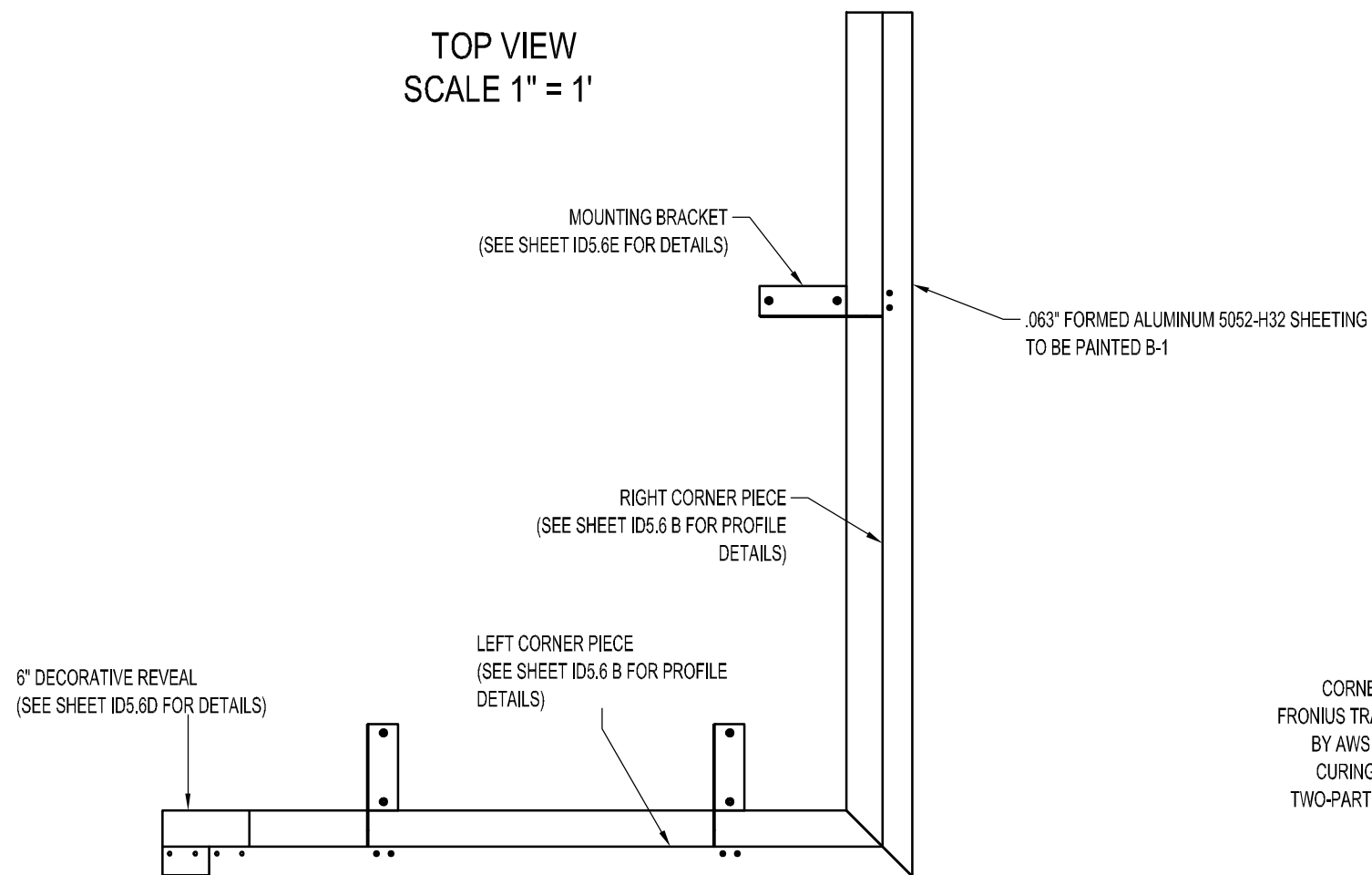
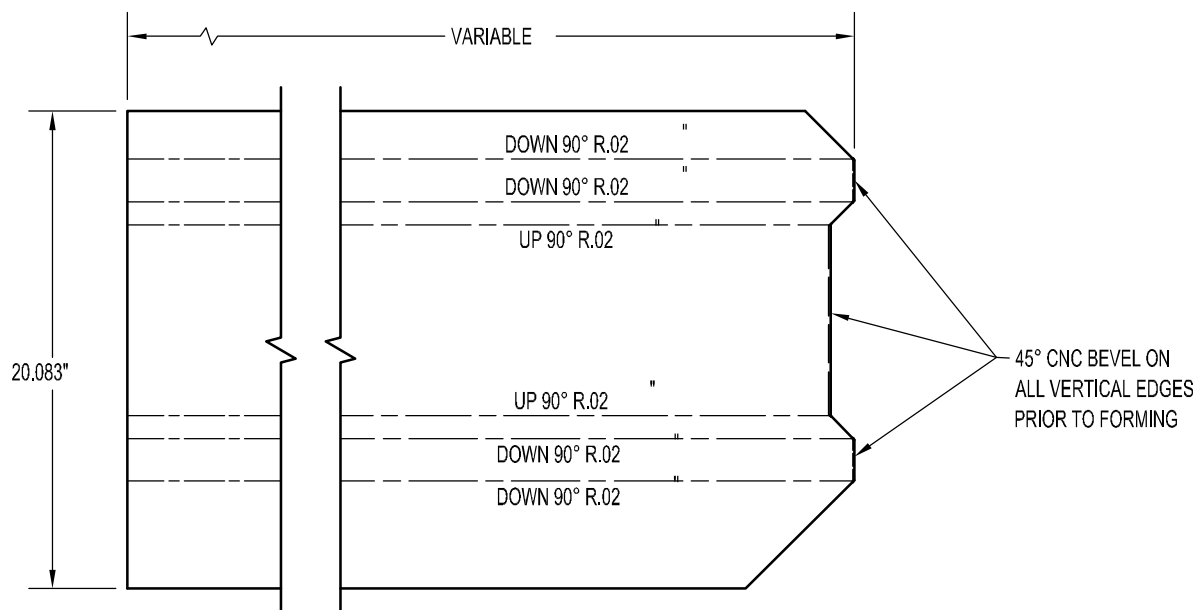


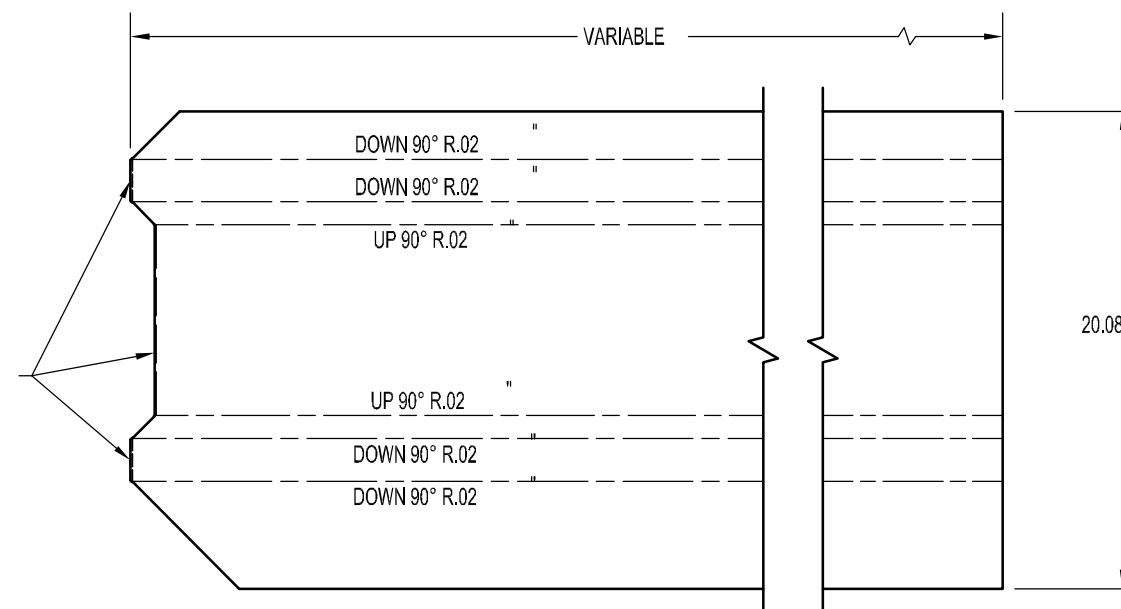
TOP VIEW
 SCALE 1" = 1'



DETAIL A



LEFT CORNER PIECE FLAT PATTERN
 SCALE 1/8" = 1"



RIGHT CORNER PIECE FLAT PATTERN
 SCALE 1/8" = 1"

Frozen Food Valance

Variable Length Corner

DeCA
 Adaptive Uniform Decor Package

Defense Commissary Agency
 Lackland AFB, Texas
 Fort Lee, Virginia



ID5.6C