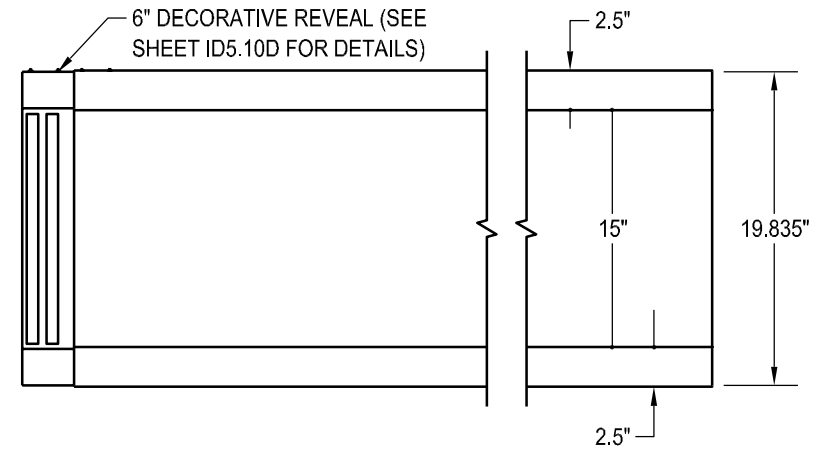
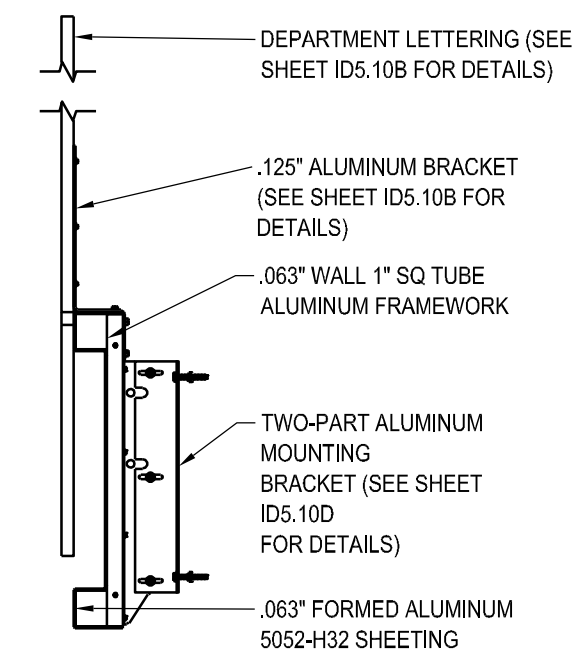


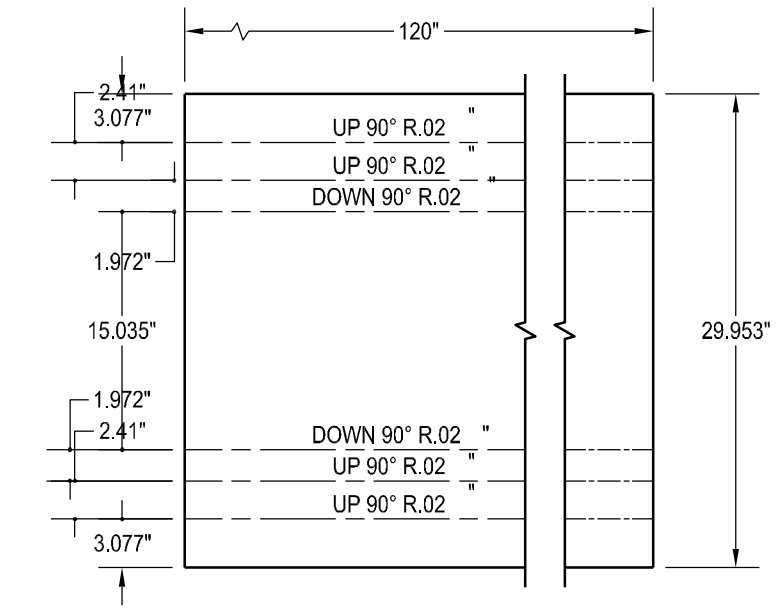
STANDARD VALANCE TOP VIEW
 SCALE 1" = 1'



STANDARD VALANCE FRONT VIEW
 SCALE 1" = 1'

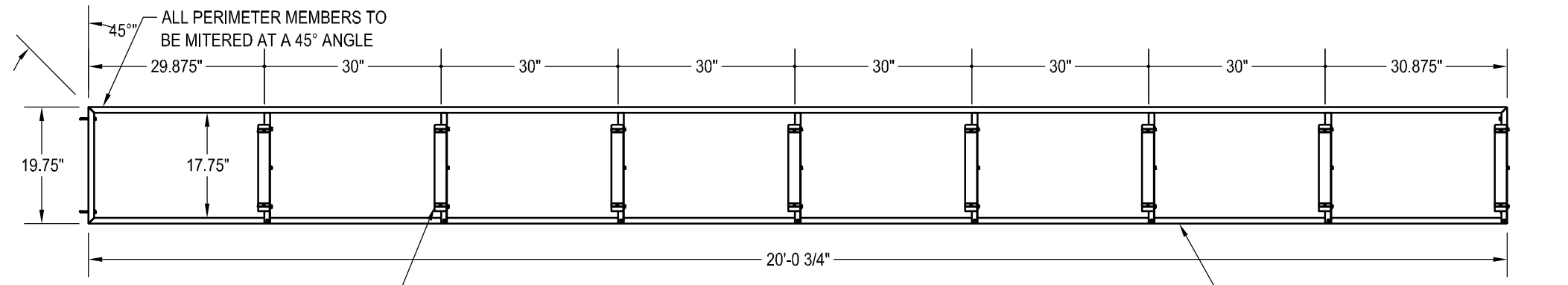


SIDE VIEW
 SCALE 1" = 1'



STANDARD VALANCE FLAT PATTERN
 SCALE 1" = 1'

STANDARD FRAMEWORK AND VALANCE SECTIONS TO REOCCUR AS NECESSARY TO ACHIEVE LENGTH OF DELI/BAKERY AREA. LENGTHS AND ANGLES OF VARIABLE CORNER FRAME AND VALANCE SECTIONS TO BE DETERMINED BY PERFORMING FIELD MEASUREMENTS OF DELI/BAKERY AREA.



STANDARD FRAMEWORK SECTION
 SCALE 1/2" = 1'

TWO-PART ALUMINUM MOUNTING BRACKET ATTACHED TO VERTICAL MEMBERS (SEE SHEET ID5.10D FOR DETAILS)

.063" WALL 1" SQUARE TUBE ALUMINUM 6061-T6 WELDED FRAMEWORK TO FIT TWO STANDARD 120" VALANCE SECTIONS

Deli & Bakery Decor Element

Standard Valance

DeCA
 Adaptive Uniform Decor Package

Defense Commissary Agency
 Lackland AFB, Texas
 Fort Lee, Virginia



ID5.10C