



STAINLESS STEEL  
**HAND SINKS**  
**PEDESTAL BASE**

**CED 4S00**



**7-PS-90**



**7-PS-95**



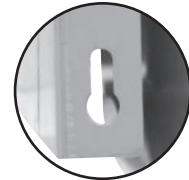
**7-PS-99**



**7-PS-18**

**Item #:** \_\_\_\_\_ **Qty #:** \_\_\_\_\_  
**Model #:** \_\_\_\_\_  
**Project #:** \_\_\_\_\_

**Keyhole Bracket for easier installation and greater stability.**



**FEATURES:**

- One piece **Deep Drawn** sink bowl design.
- Sink bowl is 10" x 14" x 5"\*.
- (\***7-PS-18** sink bowl is 14" x 16" x 6")
- All sink bowls have a large liberal radii with a minimum dimension of 2" and are rectangular in design for increased capacity.
- Keyhole wall mount bracket.
- Stainless steel basket drain 1-1/2" IPS.
- Flush-to-wall unit.
- "Hands Free" splash mounted gooseneck faucet furnished with aerator.
- Foot Pedal Valve for water operation.
- Easy removable panel to access hidden plumbing.

**Specific Features:**

- 7-PS-95** towel dispenser with hinged towel box. Unit uses standard C-fold towels. Liquid Soap dispenser.
- 7-PS-99** towel dispenser & soap dispenser plus trash receptacle & cabinet storage.

**CONSTRUCTION:**

- All TIG welded.
- Welded areas blended to match adjacent surfaces and to a satin finish.
- Die formed Countertop Edge with a No-Drip offset.
- One sheet of stainless steel - No Seams.

**MATERIAL:**

- Heavy gauge type 304 series stainless steel.
- Wall mounting bracket is galvanized and of offset design.
- All fittings are brass / chrome plated unless otherwise indicated.

**MECHANICAL:**

- Spout supply is 1/2" IPS male thread.
- Single pedal mixing valve with brass & rough chrome plated with built in check valve. Front operated temperature adjustment.
- (Contractor on site must connect faucet to foot pedal operated valves.)

**Standard Faucet conforms to NSF 61 Standard 9.  
 Faucets Are AB1953 Lead Free Compliant.**

For Replacement Faucets & Upgrades, Drains & Accessories  
 Visit our website at [www.advancetabco.com](http://www.advancetabco.com)

**NOW AVAILABLE**  
**Tankless Electric Heater**  
 Only Needs Cold Water Supply  
**7-PS-92**



Please See Tankless Heater Specification Sheet for Details



**Customer Service Available To Assist You 1-800-645-3166 8:30 am - 8:00 pm E.S.T.**

Email Orders To: [customer@advancetabco.com](mailto:customer@advancetabco.com). For Smart Fabrication™ Quotes, Email To: [smartfab@advancetabco.com](mailto:smartfab@advancetabco.com) or Fax To: 631-586-2933

**NEW YORK**  
 Fax: (631) 242-6900

**GEORGIA**  
 Fax: (770) 775-5625

**TEXAS**  
 Fax: (972) 932-4795

**NEVADA**  
 Fax: (775) 972-1578

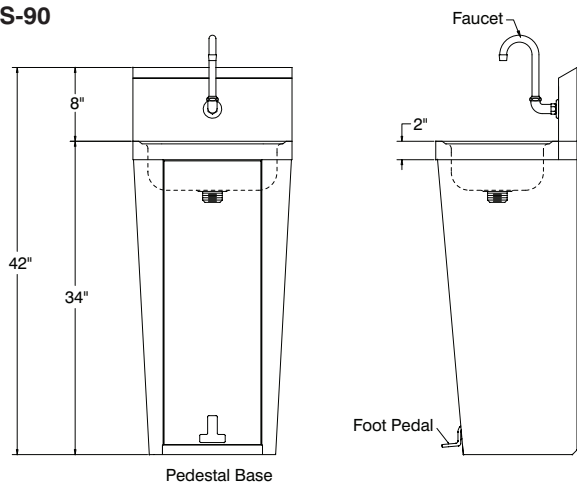
# DIMENSIONS and SPECIFICATIONS **GED 4S00**

TOL Overall: ± .500" Interior: ± .250"

FITTINGS SUPPLIED AS SHOWN

ALL DIMENSIONS ARE TYPICAL

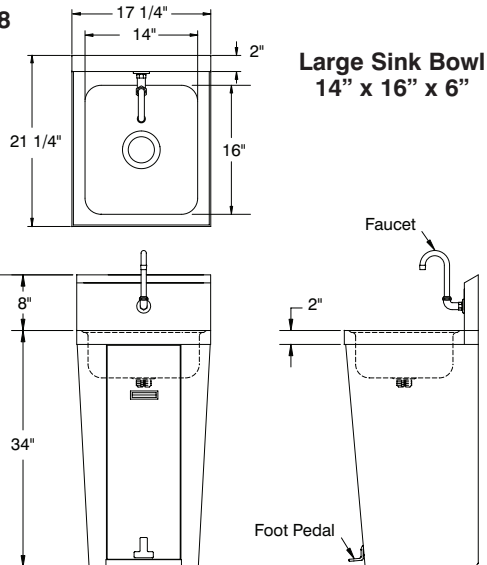
## 7-PS-90



41 lbs.

Pedestal Base

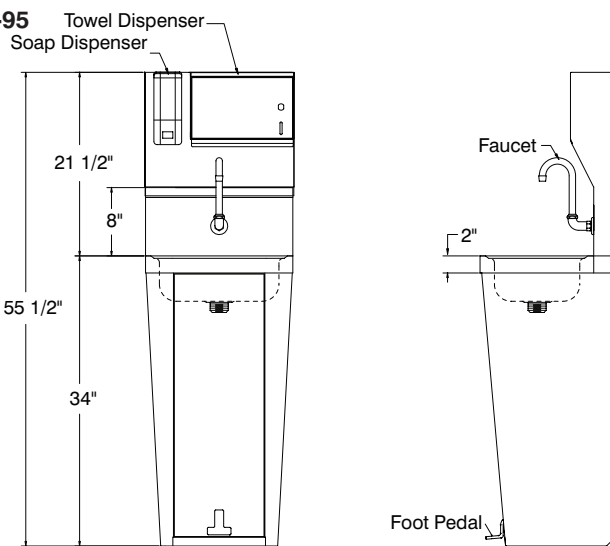
## 7-PS-18



Large Sink Bowl  
14" x 16" x 6"

50 lbs.

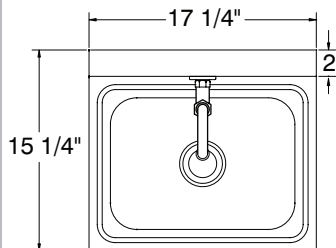
## 7-PS-95



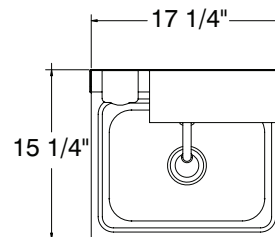
54 lbs.

Pedestal Base

## TOP VIEW 7-PS-90

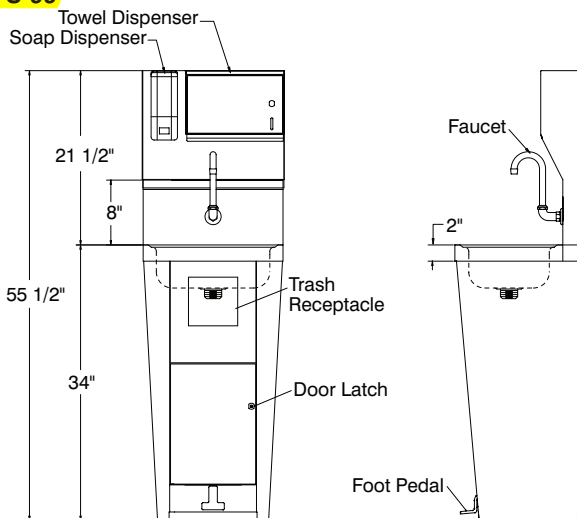


## TOP VIEW 7-PS-95 & 7-PS-99



Sink Bowls 10" x 14" x 5"

## 7-PS-99



59 lbs.

Pedestal Base

## REAR VIEW OF STANDARD PEDESTAL BASE UNITS

