



ITEM NO.	QTY.	PART NO.	DESCRIPTION
1	1	OBA-CLS WOOD	OBA-CLS WOOD NO BAG HOLDER (DRAWING#1646)
2	1	OBA-CLS F&C WB	OBA-CLS F&C WB (DRAWING#4428)
3	1	1" BUMPER ASSEMBLY	1" PLASTIC BUMPER WRAP-A-ROUND (CHOICE OF COLORS)
4	1	OBLR-48X48	LINER/RESERVOIR SYSTEM FOR OBA BINS (DWG#7644)

DWG#	4762	REV.	C
------	-------------	------	----------

ITEM(S)
OBA-CLS IC

DWG TYPE:
PRODUCTION

TITLE:
OBA-CLS WITH STORAGE DOOR

MATERIAL:
WOOD/PLASTIC

FINISH:
PER CUSTOMER

DRAWN BY:	DATE
TN	12/5/2003

CHECKED BY:	DATE
SC	12/5/2003

APPROVED BY:	DATE

APPROVED BY:	DATE

RELEASE FOR PRODUCTION	DATE

USED ON:

SCALE: 1:16	SHEET # 1 OF 1
-------------	----------------

SIZE: B	TITLE BLOCK: TB-2008
----------------	----------------------

DRAWN ON: **SOLIDWORKS 2001PLUS**

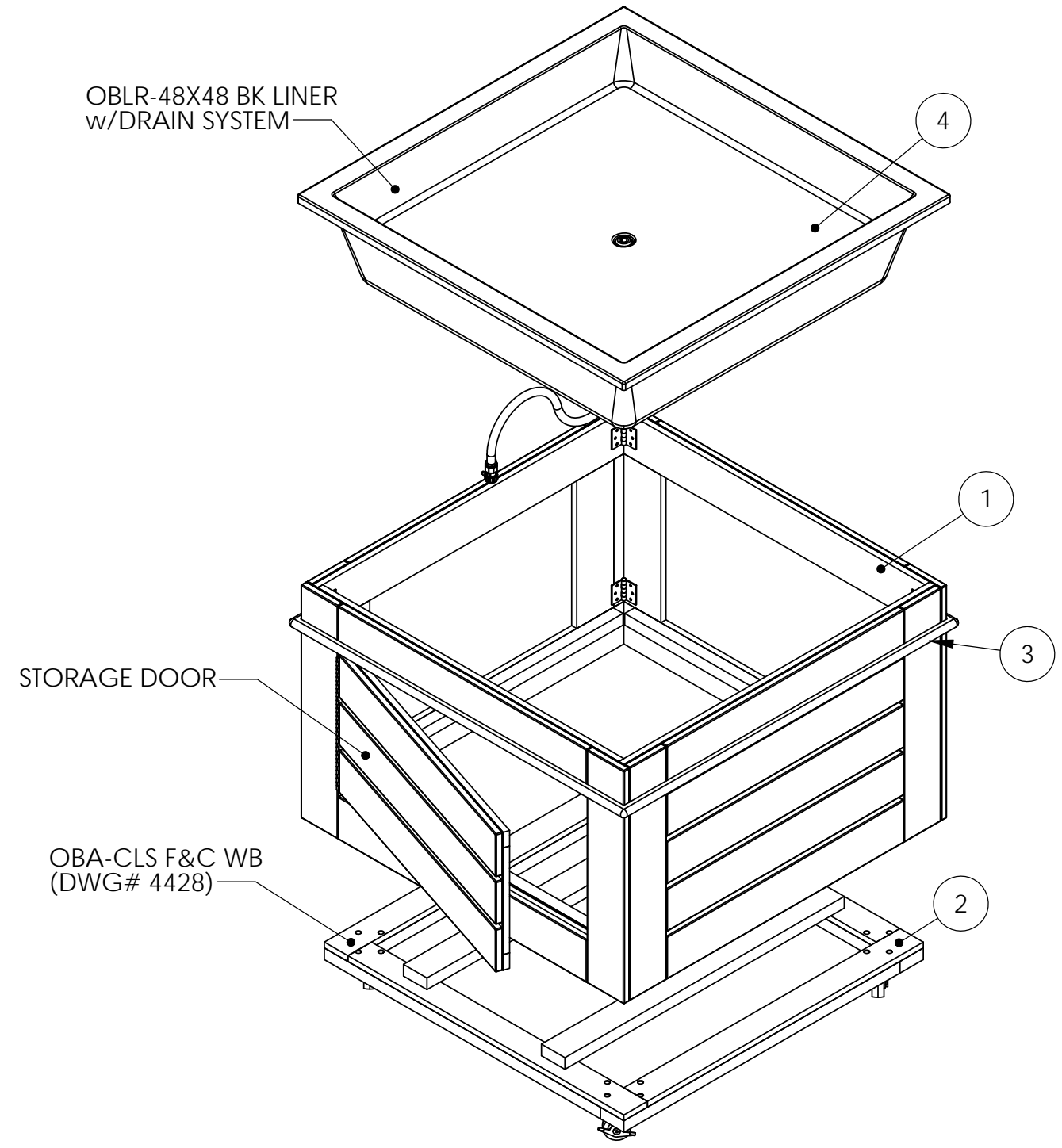
UNLESS OTHERWISE SPECIFIED
DIMENSIONS ARE IN INCHES AND
TOLERANCES ARE:

FRACTIONS	DECIMALS	ANGLES
±1/16"	.X ±.060	±1°
	.XX ±.030	
	.XXX ±.015	

THIS DOCUMENT CONTAINS INFORMATION PROPRIETARY AND CONFIDENTIAL TO THE MARCO COMPANY AND MAY NOT BE REPRODUCED, PUBLISHED, OR DISTRIBUTED IN ANY FORM OR DISCLOSED IN WHOLE OR IN PART WITHOUT THE AUTHORIZATION OF THE MARCO COMPANY. ALL RIGHTS RESERVED, COPYRIGHT 2007 THE MARCO COMPANY.

DO NOT SCALE DRAWING

F
E
D
C
B
A



REV.	BY	CHECKED	DESCRIPTION	APPROVED	DATE
C	TN	JS	REPLACE THE 48X48 LINER AND THE PLATIC RESERVIOR WITH THE ITEM OBLR-48X48 BK LINER AND DRAIN SYSTEM	DARYL K.	7-29-13
B	SC	HH	CHANGE LINER PART NUMBER TO " VEG-OBA 6" LI "		8-27-07
REVISIONS					

NOTE:
1" PLASTIC BUMPER WRAP-A-ROUND FLUSH FROM THE BOTTOM OF TOP SLAT

9 8 7 6 5 4 3 2 1