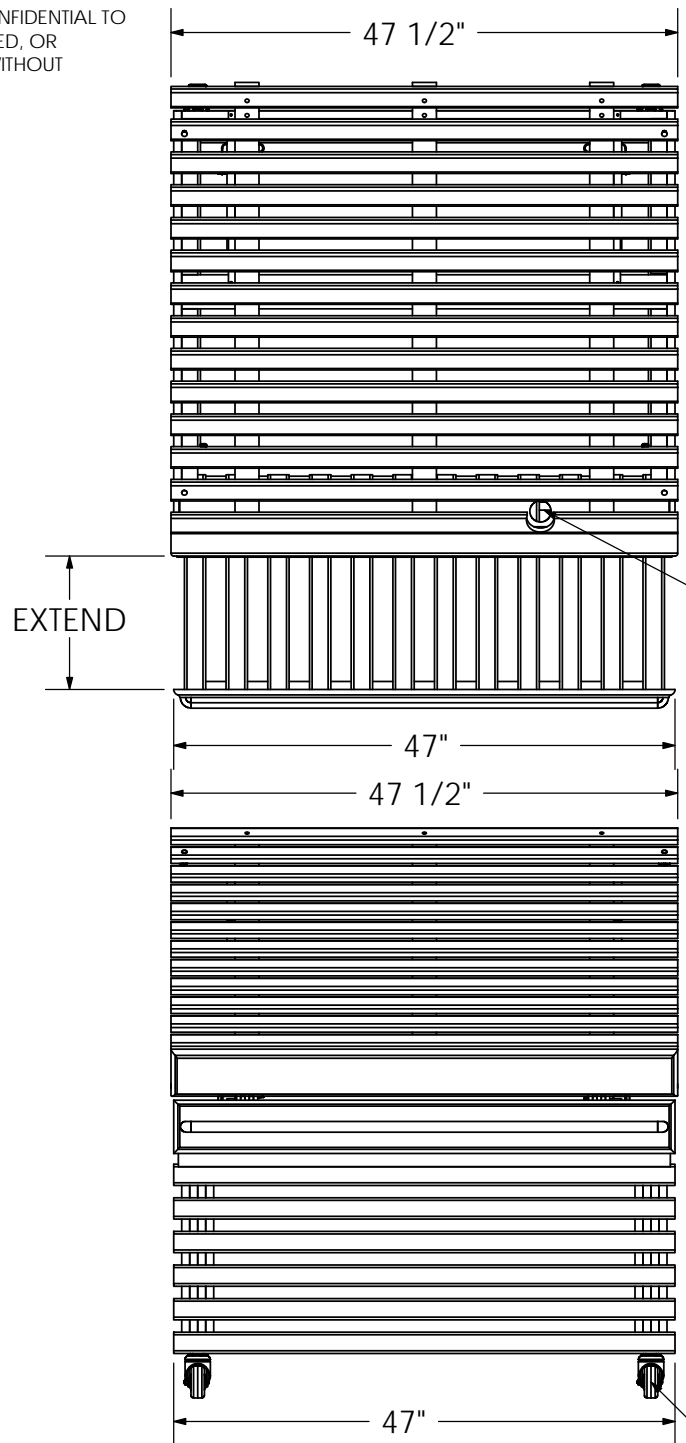


THIS DOCUMENT CONTAINS INFORMATION PROPRIETARY AND CONFIDENTIAL TO THE MARCO COMPANY AND MAY NOT BE REPRODUCED, PUBLISHED, OR DISTRIBUTED IN ANY FORM OR DISCLOSED IN WHOLE OR IN PART WITHOUT THE AUTHORIZATION OF THE MARCO COMPANY.

F
E
D
C
B
A



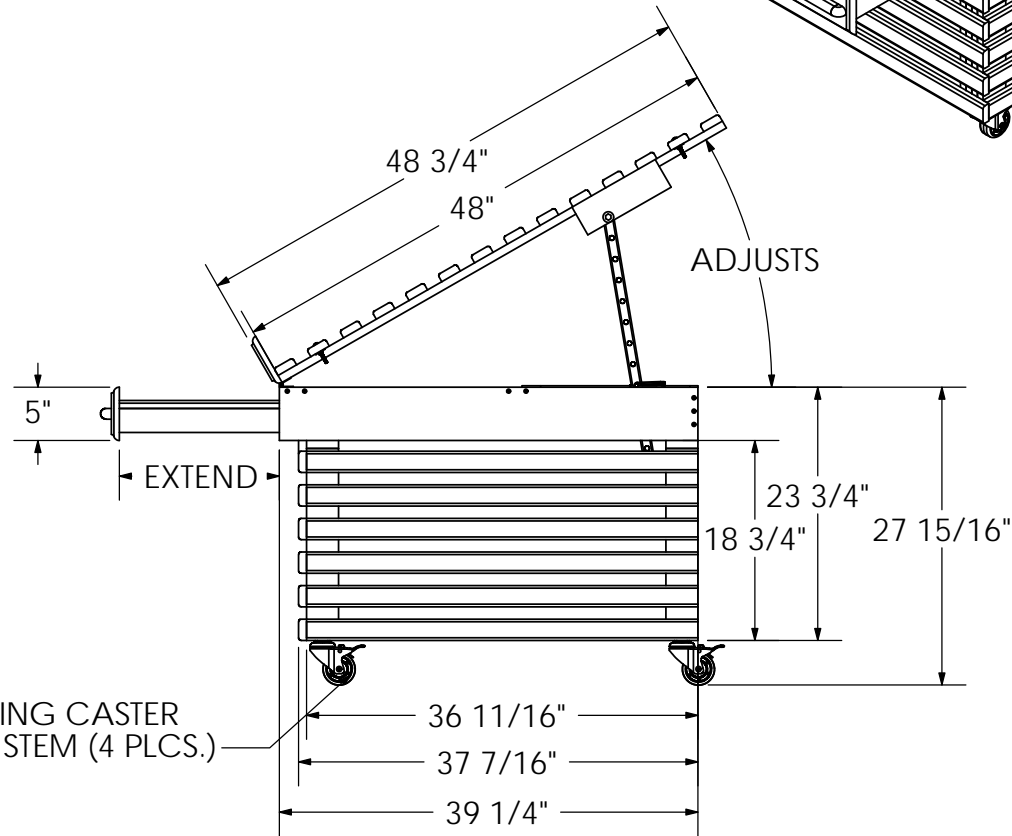
DRAIN HOLE

ET06 48X48T

ET06 48X48B

ET06 48X48D

ADJUSTS



ZL602 3" LOCKING CASTER W/ 1/2" STEM (4 PLCS.)

UNLESS OTHERWISE SPECIFIED DIMENSIONS ARE IN INCHES AND TOLERANCES ARE:		
FRACTIONS	DECIMALS	ANGLES
±1/16"	.X ± .030	±1°
	.XX ± .015	
	.XXX ± .005	

MATERIAL:	
FINISH:	
THIRD ANGLE PROJECTION	

APPROVALS	DATE
DRAWN BY: SC	8-27-03
CHECKED BY: TN	8-27-03
APPROVED BY: APPROVED	DATE
APPROVED BY: APPROVED	DATE
APPROVED BY: APPROVED	DATE
DRAWN ON: SOLIDWORKS 2001PLUS	

		3209 Marquita Drive Fort Worth, Texas 76116 PH: (817) 244-8300	
ITEM(S)		ET06 O 4848 WW	
DWG TYPE:		CONCEPT	
TITLE: ET-06 48X48 WW WITH 3 SIDES SLATS WRAP ON 3 SIDES BACK OPEN			
SIZE	DWG#	QUOTE#	REV.
B	4343		A
SCALE: 1:18		SHEET 1 OF 5	

USED ON	DO NOT SCALE DRAWING
---------	----------------------

9 | 8 | 7 | 6 | 5 | 4 | 3 | 2 | 1