



D5X-LE

D5X-E, D5X-EP, D5X-LE, D5X-LEP, D5X-HE, D5X-HEP

Excel Multi-Deck Dairy/Deli Display Merchandiser
for Dairy and Deli Applications

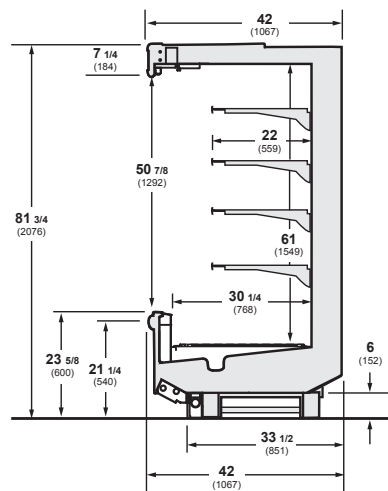
Husmann Excel Multi-Deck Display for Dairy and Deli Applications

D5X-E D5X-LE D5X-HE
D5X-EP D5X-LEP D5X-HEP

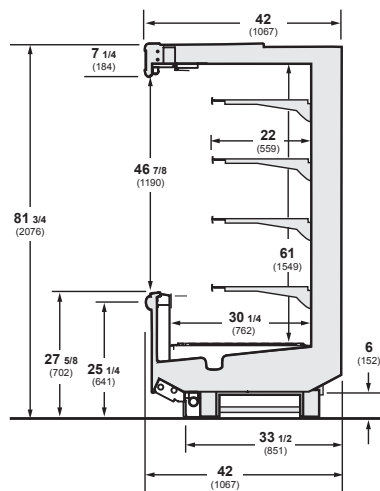
E = Energy Efficient Coil L = Low Front
EP = E Plus, Extra High H = High Front
Efficiency Coil

Available in 8' and 12' lengths. Contact your sales rep for information on possible availability of additional case lengths.

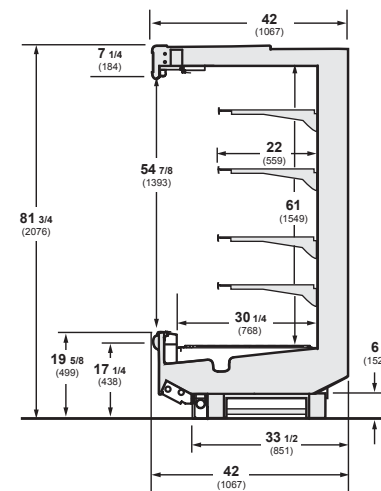
D5X-E, D5X-EP



D5X-HE, D5X-HEP

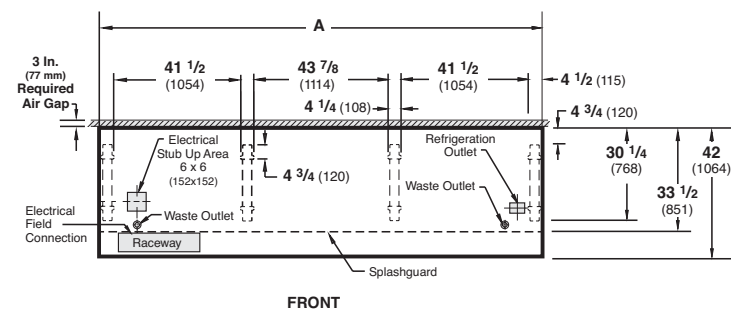


D5X-LE, D5X-LEP



Plan View -

D5X-E, D5X-LE, D5X-LEP, D5X-HE, D5X-HEP



Notes:

Case-to-case electrical connections are made in front of splashguard.

Overall case length without ends or partitions.

Dimensions	8 FT	12 FT
A	96 3/8 (2448)	144 1/2 (3670)

Note

Use Husmann's technical data sheets to get precise dimensions for all store layout purposes.

Superior Merchandising

The D5X family was designed to help you merchandise and sell. Superior display features include full vision glass ends, improved ledge lighting, greater shelf placement flexibility and more. Streamline and contour styling available.

Lower Energy Costs

Excel D5X cases come with energy efficient "E" coils as standard on "E" models. The super efficient E-Plus coils on "EP" models reduce energy costs by about 18% compared to standard Impact dairy. Night curtains can be added to help trim about 12.6% more off your energy costs for this case.

Superior Shelf Life

Modular coils and off-time defrost work to reduce thermal shock and stabilize product temperatures. Modular defrost (optional) can further stabilize temperatures.

DOE 2017 Energy Efficiency Compliant Husmann refrigerated merchandisers configured for sale for use in the United States meet or surpass the requirements of the DOE 2017 energy efficiency standards.

NOTE: These merchandisers are designed for use in stores when temperature and humidity do not exceed 75°F and 55% R.H.

NOTE: We reserve the right to change or revise specifications and product design in connection with any feature of our products. Such changes do not entitle the buyer to corresponding changes, improvements, additions, or replacements for equipment previously sold or shipped.

For additional resources, contact your representative or visit www.husmann.com.



Husmann Corporation
 12999 St. Charles Rock Rd.
 Bridgeton, MO 63044-2483
 Ph: 314.291.2000

www.husmann.com

HUSSMANN® Excel



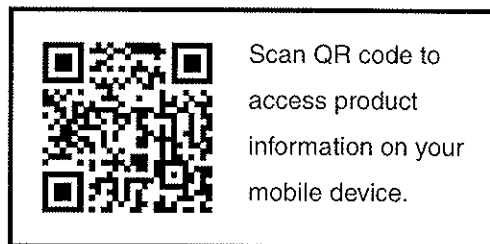
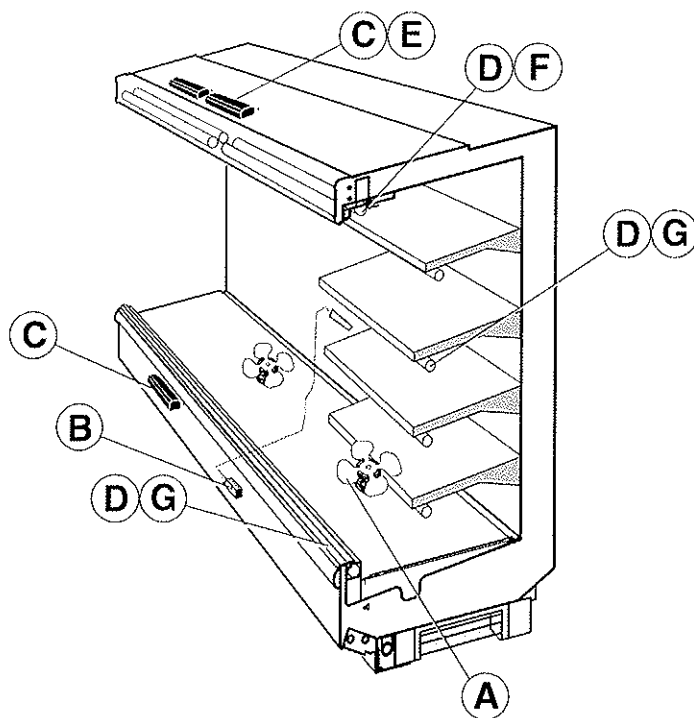
D5X-LEP

Technical Data Sheet
P/N 0463869_P

NSF® Certified

April 2017

DOE 2017
Energy Efficiency
Compliant



We reserve the right to change or revise specifications and product design in connection with any feature of our products. Such changes do not entitle the buyer to corresponding changes, improvements, additions or replacements for equipment previously sold or shipped.

Item	Part #	Description	Wiring Item #	Item	Part #	Description	Wiring Item #
FAN ASSEMBLIES				LAMPS AND BALLASTS			
4 Ft, 8 Ft, 10 Ft† & 12 Ft				C. Ballast, Electronic (3)			
A.	12W Standard Energy Efficient Fan Assembly (1)			0480130	2 lamps (BA.4481676)		
	0477655	Fan Motor, Evaporator (MO.4410546)		0480131	3 lamps (BA.4481654)		
	0461805	Fan Blade (FB.4780446)		0480132	4 lamps (BA.4481677)		
6 Ft and 10 Ft† Only				D.	Fluorescent Lamp		(4)
A.	7W Standard Efficient Fan Assembly		(1)	<i>Replace with like fixtures</i>			
	0477654	Fan Motor, Evaporator (MO.4410545)		LED FIXTURES AND POWER SUPPLY			
	0142780	Fan Blade (FB.0142780)		E.	0501213	Power Supply (EP.4481861)	(5)
THERMOSTATS				F.		LED Canopy Fixture	(6)
B.	Optional Adjustable Refrigeration Thermostat		(2)	<i>Replace with like fixtures.</i>			

†10 Ft uses both.

Data sheet-Excel-D5X-LEP

Note: Revision P: April 2017. Updated LED energy values. Other changes marked with a bar, circle or underline.

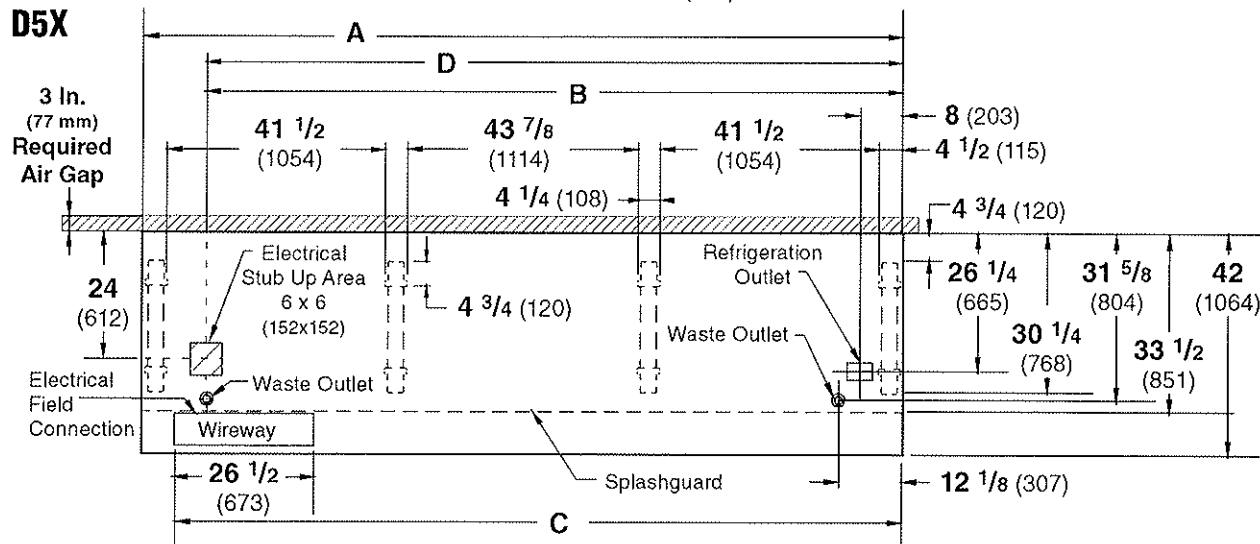
Engineering Plan Views

PHYSICAL DATA	
Merchandiser Drip Pipe (in.)	1 1/4
Merchandiser Liquid Line (in.)	3/8
Merchandiser Suction Line (in.)	7/8

Dairy & Delicatessen

10-2004

Dimensions shown as in. and (mm).

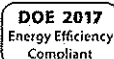


NOTE: Case-to-Case Electrical Connections are made IN FRONT OF SPLASHGUARD.

FRONT

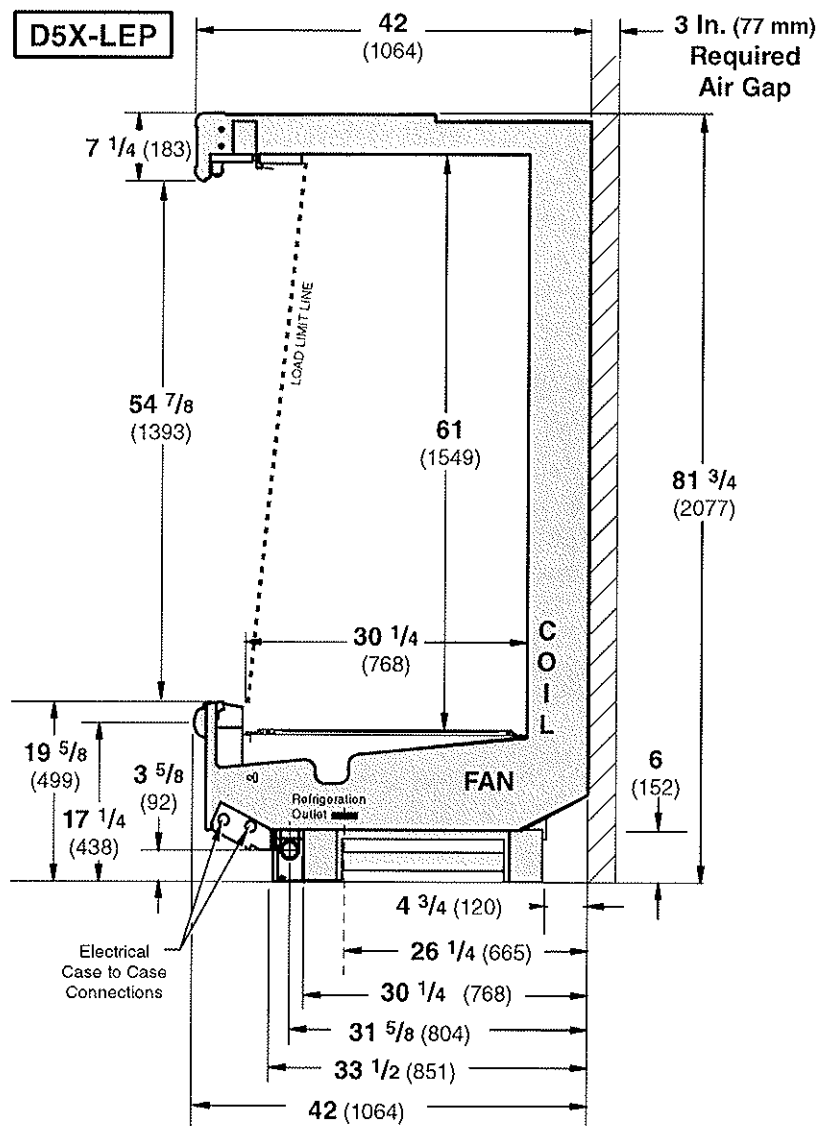
	4 ft	6 ft	8 ft	10 ft	12 ft
General					
(A) Case Length (without ends or partitions) <i>(Each end and insulated partition adds 1 1/2 in. (38 mm) to case line up.)</i>	48 3/8 (1229)	72 3/8 (1838)	96 3/8 (2448)	120 1/2 (3061)	144 1/2 (3670)
Maximum O/S dimension of case back to front <i>(includes bumper)</i>	42 (1064)	42 (1064)	42 (1064)	42 (1064)	42 (1064)
Back of case to front of splashguard	33 1/2 (851)	33 1/2 (851)	33 1/2 (851)	33 1/2 (851)	33 1/2 (851)
Back of case to O/S edge of front leg	30 1/4 (768)	30 1/4 (768)	30 1/4 (768)	30 1/4 (768)	30 1/4 (768)
Distance between edges of external legs and center legs	NA	29 1/2 (750)	41 1/2 (1054)	29 1/2 (749)	41 1/2 (1054)
Distance between edges of center legs	NA	NA	NA	43 7/8 (1114)	43 7/8 (1114)
Distance between front legs and splashguard	2 3/4 (70)	2 3/4 (70)	2 3/4 (70)	2 3/4 (70)	2 3/4 (70)
Electrical Service <input checked="" type="checkbox"/> <i>(Electrical Field Wiring connection point)</i>					
(B) RH End of case to center of stub up area	36 1/4 (921)	60 1/4 (1530)	84 1/4 (2140)	108 1/4 (2750)	132 3/8 (3363)
Back of case to center of stub up area	24 (612)	24 (612)	24 (612)	24 (612)	24 (612)
Length of electrical wireway <input type="checkbox"/> Wireway	26 1/2 (673)	26 1/2 (673)	26 1/2 (673)	26 1/2 (673)	26 1/2 (673)
(C) RH End of case to LH end of wireway	42 1/8 (1070)	66 1/8 (1680)	90 1/8 (2289)	114 1/4 (2902)	138 1/4 (3511)
Waste Outlets <i>(One each end)</i> <input checked="" type="checkbox"/>					
(D) RH End of case to the center of LH waste outlet	36 1/4 (921)	60 1/4 (1530)	84 1/4 (2140)	108 1/4 (2750)	132 3/8 (3363)
RH End of case to the center of RH waste outlet	12 1/8 (307)	12 1/8 (307)	12 1/8 (307)	12 1/8 (307)	12 1/8 (307)
Back O/S of case to center of waste outlets	31 5/8 (804)	31 5/8 (804)	31 5/8 (804)	31 5/8 (804)	31 5/8 (804)
Schedule 40 PVC drip pipe	1 1/4 (32)	1 1/4 (32)	1 1/4 (32)	1 1/4 (32)	1 1/4 (32)
Refrigeration Outlet <input checked="" type="checkbox"/>					
Back of case to center of refrigeration outlet	26 1/4 (665)	26 1/4 (665)	26 1/4 (665)	26 1/4 (665)	26 1/4 (665)
RH end of case to center of refrigeration outlet	8 (203)	8 (203)	8 (203)	8 (203)	8 (203)

Multi-deck, 5 Display Levels, Low Front



Husmann refrigerated merchandisers configured for sale for use in the United States meet or surpass the requirements of the DOE 2017 energy efficiency standards.

Dimensions shown as in. and (mm).



Estimated Charge ***		D5X-LEP	
4 ft	1.9 lb	30 oz	0.9 kg
6 ft	2.8 lb	45 oz	1.3 kg
8 ft	3.7 lb	59 oz	1.7 kg
10 ft	4.7 lb	75 oz	2.1 kg
12 ft	5.1 lb	82 oz	2.3 kg

***This is an average for all refrigerant types. Actual refrigerant charge may vary by approximately half a pound (8 oz/0.2 kg).

NSF Certification

This merchandiser model is manufactured to meet NSF/ANSI (National Sanitation Foundation) Standard #7 requirements for construction, materials & cleanability.

Excel D5X-LEP Dairy & Delicatessen

REFRIGERATION DATA

Note: This data is based on store temperature and humidity that does not exceed 75°F and 55% R.H.

D5X-LEP§	UNLIT	LIT	PEG*
Discharge Air °F	32	30	30
Evaporator °F	28	26	26
Unit Sizing °F	26	24	24

§ Average evaporator temperature shown. Use dew point for high glide refrigerants for unit sizing. Care should be taken to use the dew point in PT tables for measuring and adjusting superheat. Adjust evaporator pressure as needed to maintain discharge air temperature shown.

Btu/hr/ft — Unlit Shelves†

D5X-LEP	Parallel	Conventional
UNLIT	1263	1338
PEG*	1418	1503

* Husmann Peg Shelves (Deli only).

† Add 10 Btu/hr/ft per shelf row for LED fixtures.

Add 20 Btu/hr/ft per shelf row for fluorescent lamps.

DEFROST DATA

Frequency Hr	8
Defrost Water (lb/ft/day)	10.5
(± 15% based on case configuration and product loading).	

OFFTIME	D5X-LEP
Time (minutes)	30

ELECTRIC OR GAS Not Recommended

CONVENTIONAL CONTROLS

Low Pressure Backup Control

CHCO**	D5X-LEP
	19°F / 9°F

Indoor Unit Only, Pressure Defrost

Termination** 48°F

**Use a Temperature Pressure Chart to determine PSIG conversions.

Excel D5X-LEP
Dairy & Delicatessen

Electrical Data

	4 ft	6 ft	8 ft	10 ft	12 ft						
Number of Fans – 12W	1	—	2	1	3						
Number of Fans – 7W	—	2	—	2	—						
			Amperes					Watts			
	4 ft	6 ft	8 ft	10 ft	12 ft	4 ft	6 ft	8 ft	10 ft	12 ft	
Evaporator Fans											
120V 60Hz Standard Energy Efficient	0.30	0.38	0.60	0.68	0.90	18	28	36	46	54	
230V 60Hz Standard Energy Efficient	0.15	0.20	0.30	0.35	0.45	18	28	36	46	54	
230V 60Hz Export	0.33	0.50	0.66	0.80	0.99	50	78	100	128	150	
230V 50Hz Export	0.38	0.56	0.76	0.94	1.14	57	84	114	141	171	
Minimum Circuit Ampacity											
120V 60Hz Standard Energy Efficient	0.50	0.58	0.80	0.88	1.10						
230V 60Hz Standard Energy Efficient	0.35	0.40	0.50	0.55	0.65						
230V 60Hz Export	0.53	0.70	0.86	1.00	1.19						
230V 50Hz Export	0.58	0.76	0.96	1.14	1.34						
Maximum Over Current Protection 120V	20	20	20	20	20						
Maximum Over Current Protection 230V	15	15	15	15	15						
Standard Lighting (T-8 fluorescent)											
1 Row Canopy	0.26	0.51	0.51	0.77	0.77	30	59	59	85	85	

*ONLY LIGHTING CONFIGURATIONS THAT ARE COMPLIANT WITH THE U.S. DEPT. OF ENERGY (DOE) 2017 REGULATION ARE AVAILABLE FOR SALE FOR USE IN THE U.S.A.

Optional Lighting (T-8 fluorescent)

Additional 1 Row Canopy	0.26	0.51	0.51	0.77	0.77	30	59	59	85	85
Additional 2 Row Canopy	0.51	1.02	1.02	1.54	1.54	59	118	118	170	170
Additional 3 Row Canopy	0.77	1.53	1.53	2.31	2.31	89	177	177	255	255
1 Row Rail Light	0.26	0.51	0.51	0.77	0.77	30	59	59	85	85
1 Row of Shelves	0.26	0.51	0.51	0.77	0.77	30	59	59	85	85
4 Rows of Shelves	1.02	2.04	2.04	3.08	3.08	118	236	236	340	340
5 Rows of Shelves	1.28	2.55	2.55	3.85	3.85	148	295	295	425	425
6 Rows of Shelves	1.53	3.06	3.06	4.62	4.62	177	354	354	510	510

EcoShine II Canopy

EcoShine II	0.16	0.26	0.32	0.42	0.48	19.3	31.6	38.6	50.9	58.0
EcoShine II HO	0.22	0.33	0.44	0.55	0.66	26.5	39.5	53.0	66.0	79.4

EcoShine II Rail Light ----1 Row

	0.08	0.12	0.16	0.20	0.25	9.9	14.1	19.8	24.0	29.7
--	------	------	------	------	------	-----	------	------	------	------

EcoShine II Shelf

1 Row of Shelves	0.08	0.12	0.16	0.20	0.25	9.9	14.1	19.8	24.0	29.7
4 Rows of Shelves	0.33	0.47	0.66	0.80	0.99	39.5	56.4	79.1	95.9	118.6
5 Rows of Shelves	0.41	0.59	0.82	1.00	1.24	49.4	70.5	98.9	119.9	148.3
6 Rows of Shelves	0.49	0.70	0.99	1.20	1.48	59.3	84.5	118.6	143.9	178.0

120V Lighting Circuit Total = Standard Lighting + Total Optional Lighting + Optional Shelf Lighting

120V EcoShine LED Lighting Circuit Total = Total Canopy Lighting + Optional Shelf Lighting

230V Lighting Circuit Total = Multiply 120V Lighting Circuit Total by 0.52

Please note: some combinations of fluorescent lights on this case model may not be compliant with DOE 2017 and may not be available to order in the US and Canada. More lighting options are available with LED lights. The Hussmann Product Configurator will not allow lighting options that do not comply with the DOE 2017 standards.

Excel D5X-LEP
Dairy & Delicatessen

Product Data

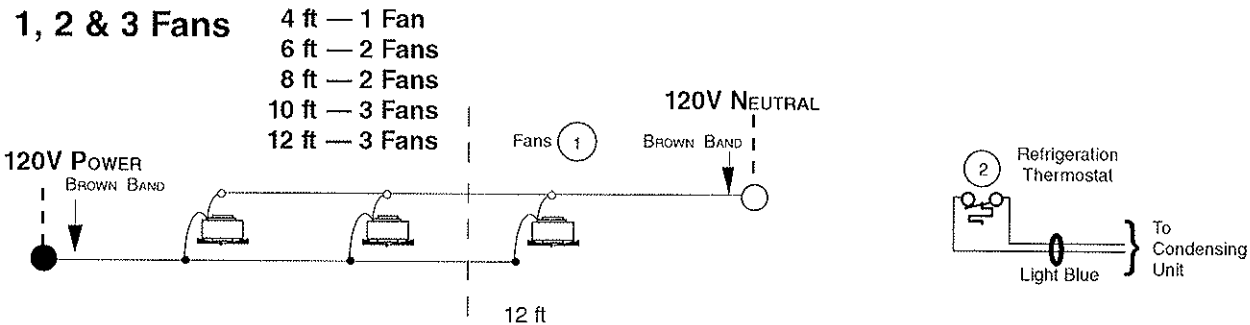
<i>Recommended Usable Cube</i> ¹ (Cu Ft/Ft)	9.39 ft ³ /ft (0.87 m ³ /m)
<i>AHRI Total Display Area</i> ² (Sq Ft/Ft)	4.58 ft ² /ft (1.40 m ² /m)
<i>Shelf Area</i> ³ (Sq Ft/Ft)	9.89 ft ² /ft (3.02 m ² /m)

- ¹ AHRI Refrigerated Volume less shelving and other unusable space: Refrigerated Volume/Unit of Length, ft³/ft [m³/m]
- ² Computed using AHRI 1200 standard methodology: Total Display Area, ft² [m²]/Unit of Length, ft [m]
- ³ Shelf surface area is composed of bottom deck plus standard shelf complement, as shown in the Hussmann *Product Reference Guide*. The standard shelf complement for this model is (4) rows of 22-inch shelves.

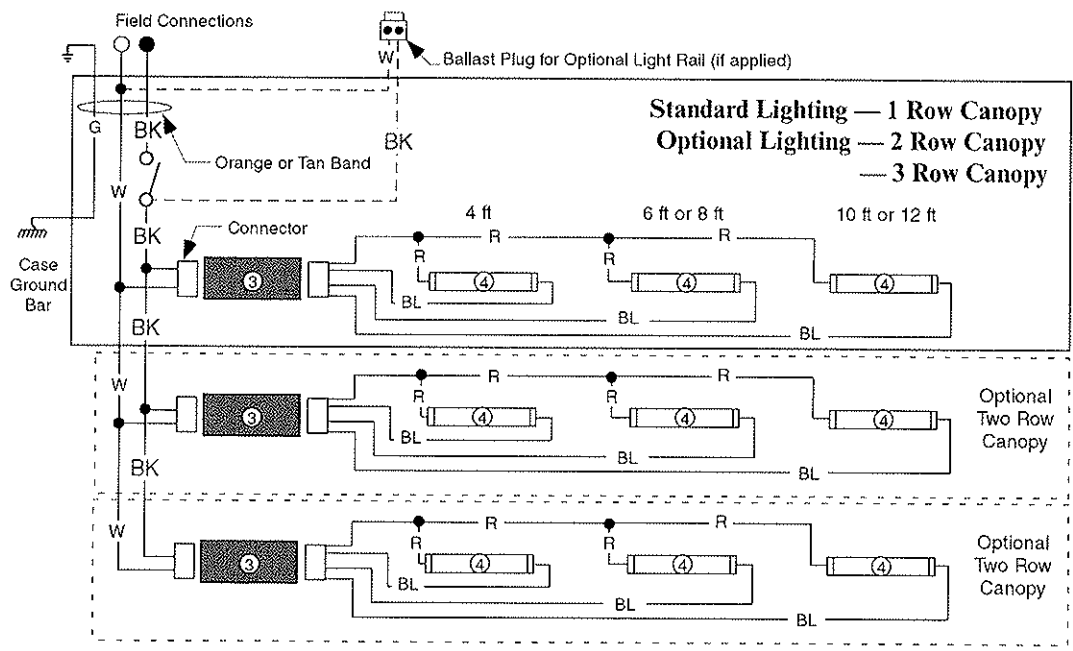
ESTIMATED SHIPPING WEIGHT ⁴						
Case	<i>4 ft</i>	<i>6 ft</i>	<i>8 ft</i>	<i>10 ft</i>	<i>12 ft</i>	Solid End (each)
lb (kg)	800 (363)	1000 (454)	1200 (544)	1300 (590)	1400 (635)	100 (45)

⁴ Actual weights will vary according to optional kits included.

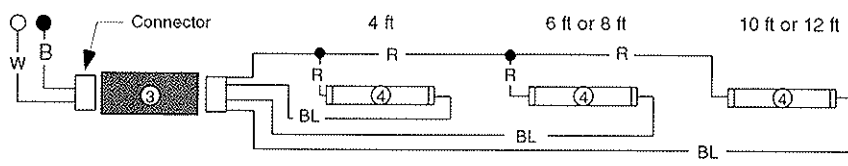
Fan Wiring Offtime Defrost



Canopy Light Circuits — Fluorescent Fixtures



Optional Lighting — 1 Row Rail



WARNING

All components must have mechanical ground, and the merchandiser must be grounded.

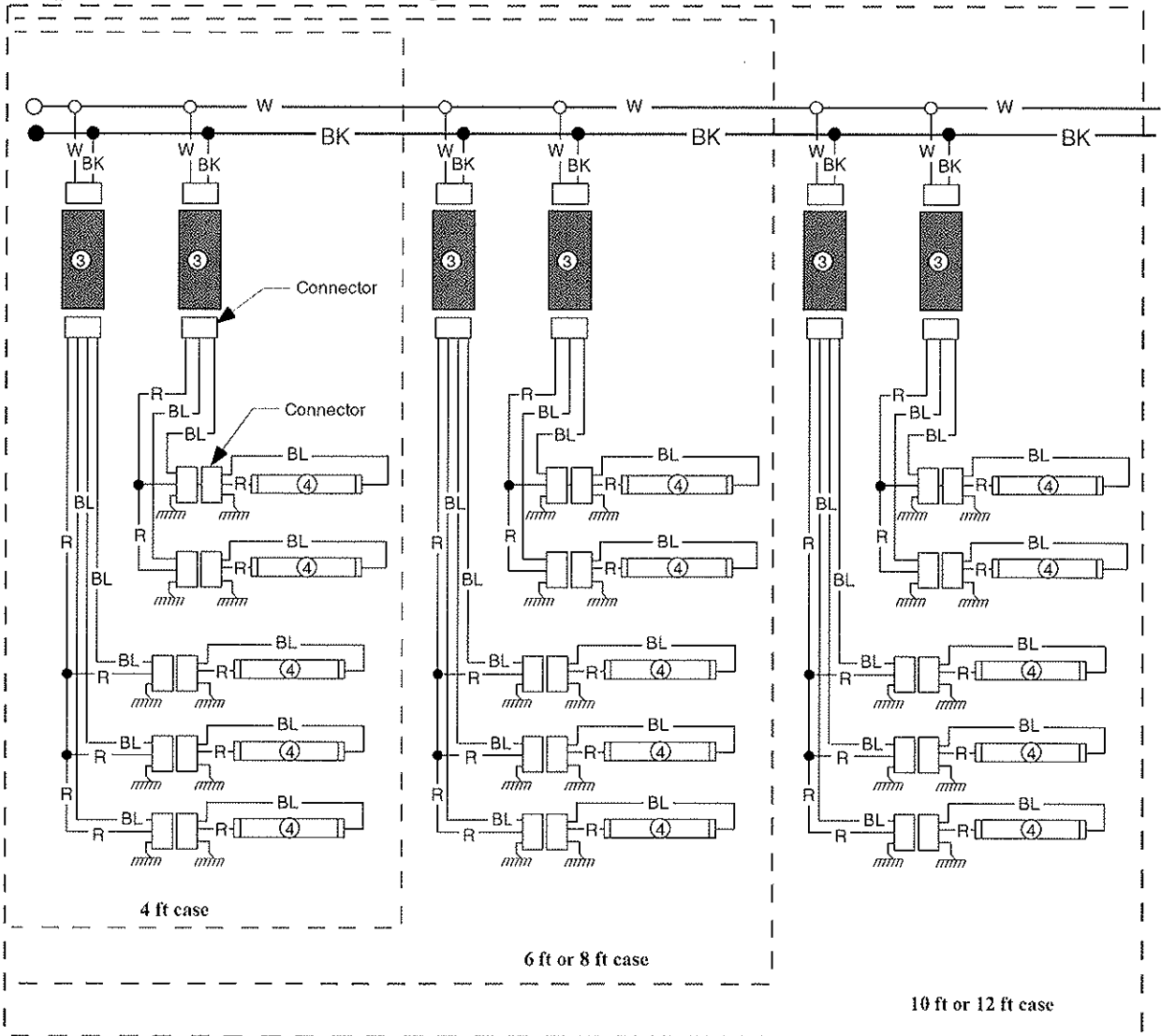
CIRCLED NUMBERS = PARTS LIST ITEM NUMBERS

R = Red Y = Yellow G = Green BL = Blue BK = Black W = White

● = 120V POWER ○ = 120V NEUTRAL ⊥ = FIELD GROUND m̄m̄ = CASE GROUND

Optional Shelf Lighting
Fluorescent Fixtures

Optional Shelf Harness and Light Circuits for Five Rows of Shelves



WARNING

All components must have mechanical ground, and the merchandiser must be grounded.

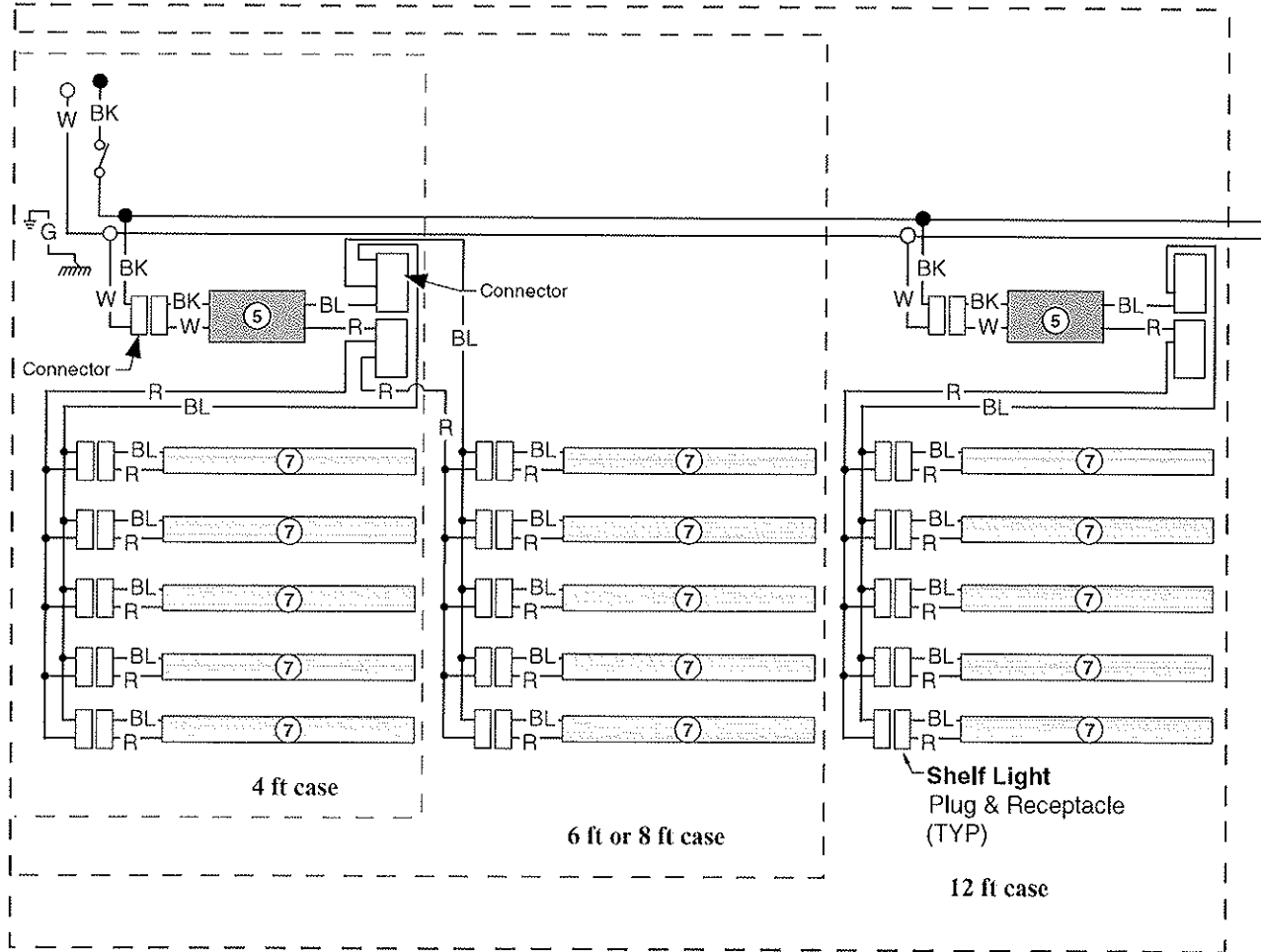
CIRCLED NUMBERS = PARTS LIST ITEM NUMBERS

R = Red Y = Yellow G = Green BL = Blue BK = Black W = White

● = 120V POWER ○ = 120V NEUTRAL ⊥ = FIELD GROUND mm = CASE GROUND

**Optional Shelf Lighting
LED Fixtures**

Optional Shelf Harness and LED Light Circuits for 4 or 5 Rows of Shelves



WARNING

All components must have mechanical ground, and the merchandiser must be grounded.

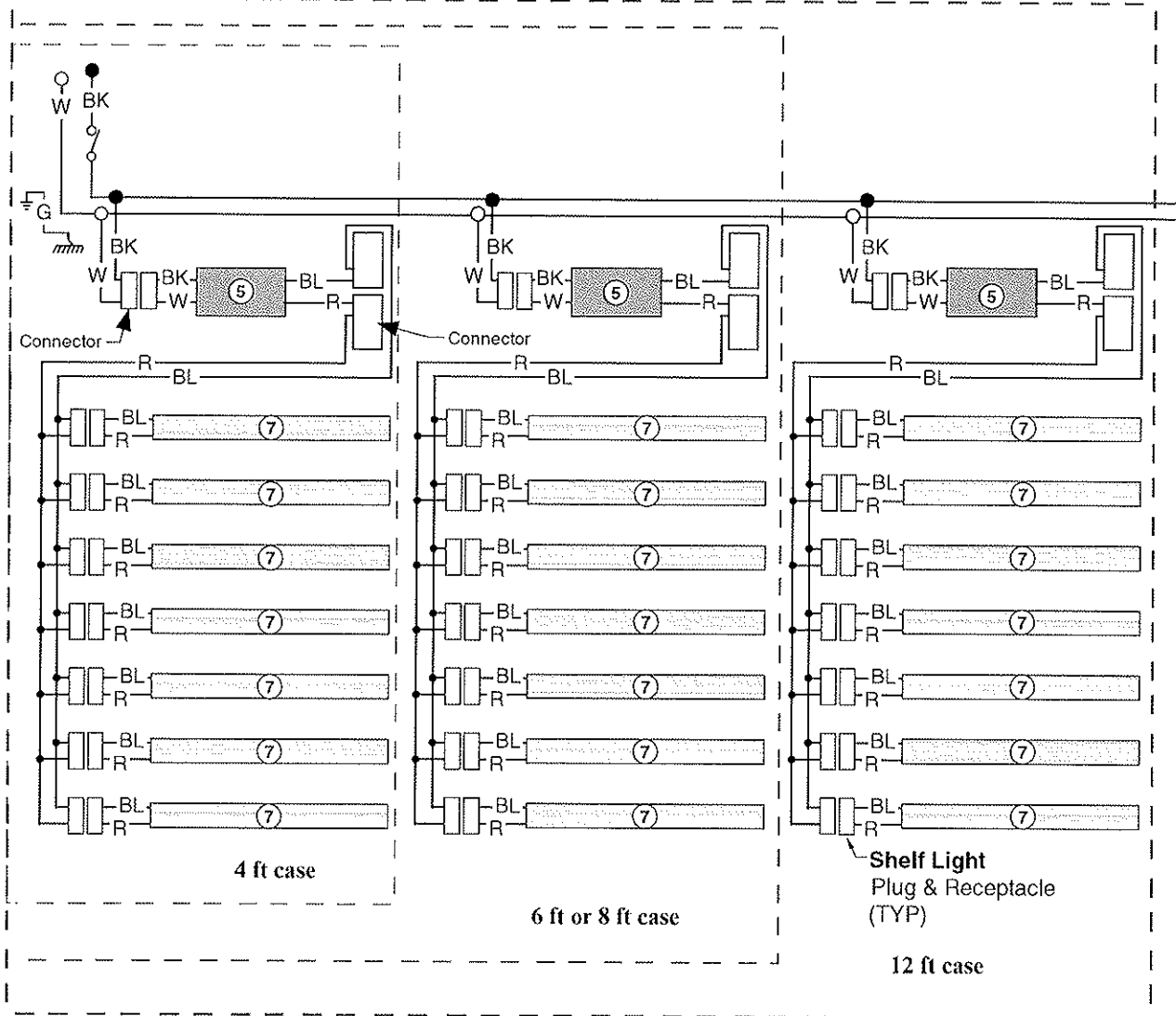
CIRCLED NUMBERS = PARTS LIST ITEM NUMBERS

R = Red G = Green BL = Blue BK = Black W = White

● = 70V POWER ○ = 70V NEUTRAL ⊥ = FIELD GROUND mm = CASE GROUND

**Optional Shelf Lighting
LED Fixtures**

Optional Shelf Harness and LED Light Circuits for 6 or 7 Rows of Shelves



WARNING

All components must have mechanical ground, and the merchandiser must be grounded.

CIRCLED NUMBERS = PARTS LIST ITEM NUMBERS

R = Red G = Green BL = Blue BK = Black W = White

● = 120V POWER ○ = 120V NEUTRAL ⚡ = FIELD GROUND mm = CASE GROUND