

HUSSMANN®



Single-deck model shown with options.

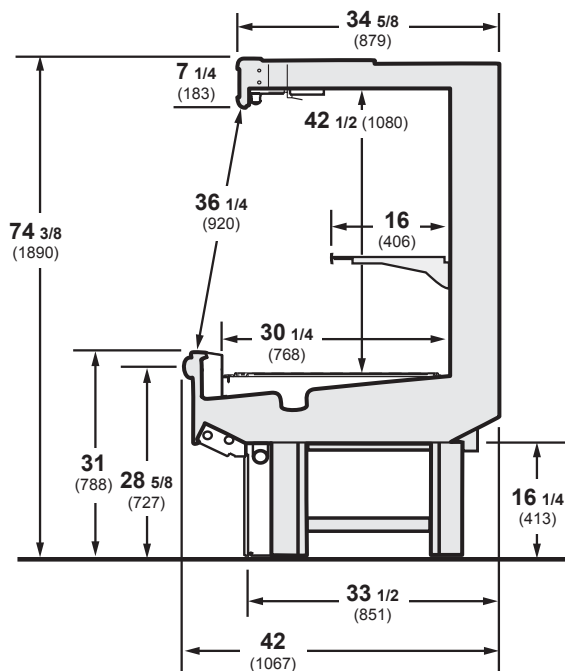
P2X-EP

Excel Single or Multi-Deck
Produce Merchandiser

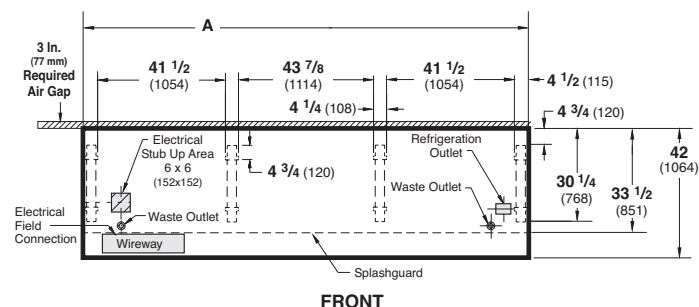
Husmann Excel Single or Multi-Deck Merchandiser for Produce Applications

P2X-EP - Single or Multi-Deck with E-Plus “Extra-High Efficiency” Coil

Available in 8' and 12' lengths. Contact your sales rep for information on possible availability of additional case lengths.



Plan View



Dimension	8 FT	12 FT
A	96 3/8 (2448)	144 1/2 (3670)

Notes:

Overall case length without ends or partitions.

Note

Use Husmann’s technical data sheets to get precise dimensions for all store layout purposes.

Superior Merchandising.

The P2X-EP creates an appealing wall of produce in both single and two deck configurations. Superior display features include full vision glass ends, illuminated canopy signs, improved ledge lighting and more.

Lower Energy Costs.

The “highest efficiency” E-Plus coils are standard. Optional night curtains will further reduce energy by about 12%.

Superior Shelf Life.

Modular coils and off-time defrost work to reduce thermal shock and stabilize product temperatures. Modular defrost, optional, can further stabilize temperatures.

Lower Labor Costs.

Labor saving features include greater clearance under the case, easy-to-clean bathtub bottom, easier raceway access, 2-ft honeycomb sections and more.

Superior Reliability.

Our five year modular coil warranty is the best available. Pre-set adjustable expansion valves are designed to hold optimal temperatures.

DOE 2017 Energy Efficiency Compliant Husmann refrigerated merchandisers configured for sale for use in the United States meet or surpass the requirements of the DOE 2017 energy efficiency standards.

NOTE: These merchandisers are designed for use in stores when temperature and humidity do not exceed 75°F and 55% R.H.

NOTE: We reserve the right to change or revise specifications and product design in connection with any feature of our products. Such changes do not entitle the buyer to corresponding changes, improvements, additions, or replacements for equipment previously sold or shipped.

For additional resources, contact your representative or visit www.husmann.com.

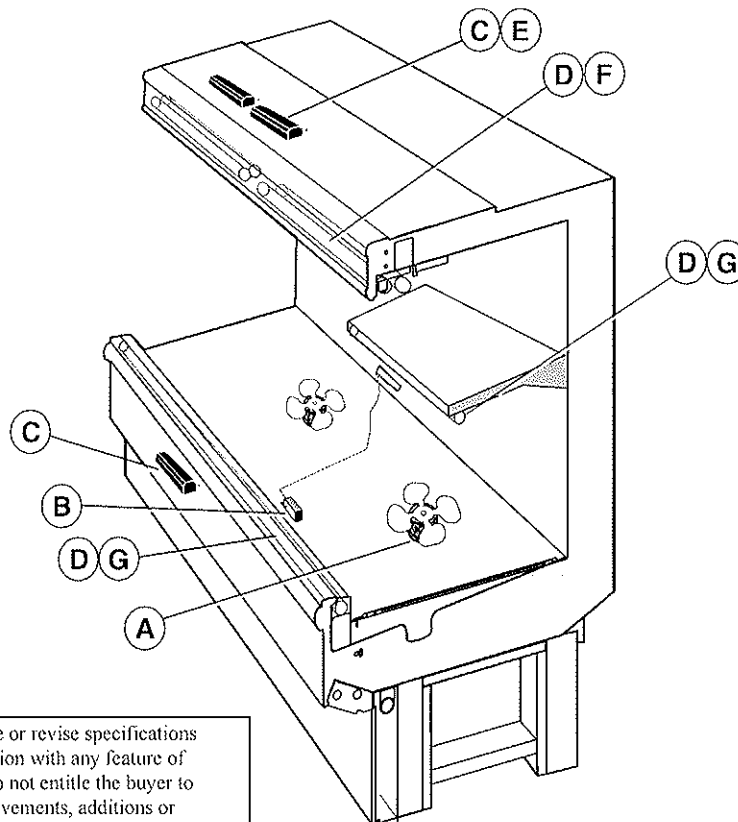
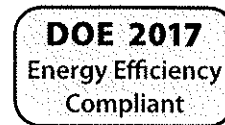
HUSSMANN®
Excel



P2X-EP

Technical Data Sheet
P/N 0463873_J

NSF® Certified
April 2017



We reserve the right to change or revise specifications and product design in connection with any feature of our products. Such changes do not entitle the buyer to corresponding changes, improvements, additions or replacements for equipment previously sold or shipped.

Item	Part #	Description	Wiring Item #	Item	Part #	Description	Wiring Item #
FAN ASSEMBLIES				LAMPS AND BALLASTS			
8 Ft & 12 Ft				C.	Ballast, Electronic		(3)
A.	<u>7W Standard Energy Efficient Fan Assembly</u>	(1)		0480130	2 lamps (BA.4481676)		
	0477654	Fan Motor, Evaporator (MO.4410545)		0480131	3 lamps (BA.4481654)		
	0142780	Fan Blade (FB.0142780)		0480132	4 lamps (BA.4481677)		
A.	<u>4W Standard Energy Efficient Fan Assembly</u>	(1)		D.	Fluorescent Lamp		(4)
	0477653	Fan Motor, Evaporator (MO.4410545)			<i>Replace with like fixtures</i>		
	0382383	Fan Blade (FB.4780617)		LED FIXTURES AND POWER SUPPLY			
THERMOSTATS				E.	0501213	Power Supply (EP.4481861)	(5)
B.	Optional Adjustable Refrigeration Thermostat	(2)		F.	LED Canopy Fixture		(6)
					<i>Replace with like fixtures</i>		
				G.	LED Shelf Fixture		(7)
					<i>Replace with like fixtures</i>		

Data sheet-Excel-P2X-EP

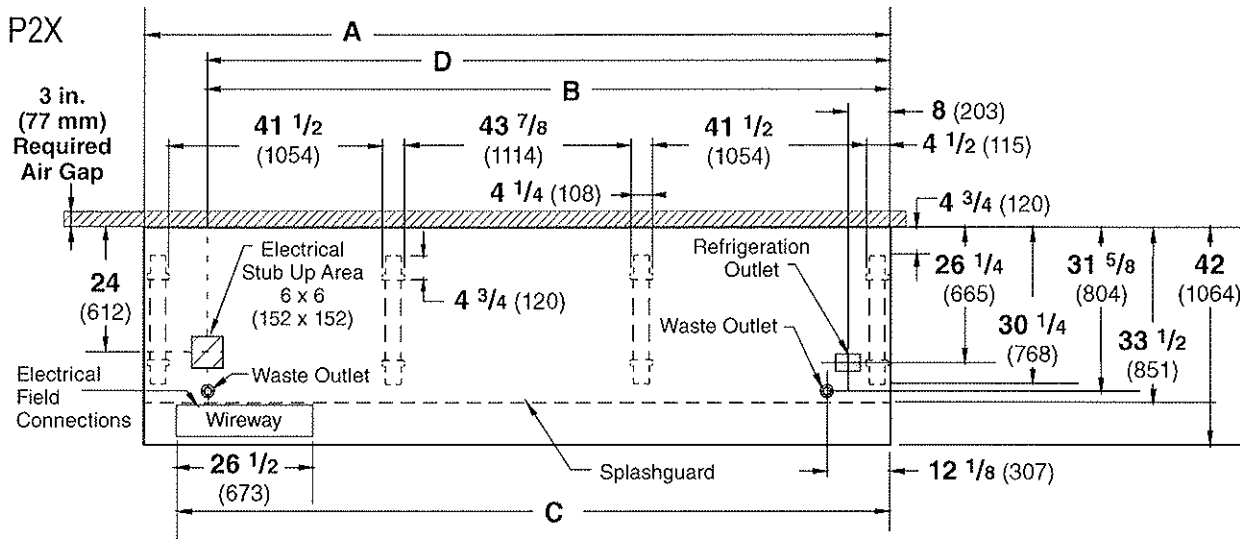
Note: Revision J: April 2017. Updated LED energy values. Other changes marked with a bar, circle or underline.

Engineering Plan Views

PHYSICAL DATA	
Merchandiser Drip Pipe (in.)	1 1/4
Merchandiser Liquid Line (in.)	3/8
Merchandiser Suction Line (in.)	7/8

Produce
10-2004

Dimensions shown as inches and (mm).



NOTE: Case-to-Case Electrical Connections are made IN FRONT OF SPLASHGUARD.

FRONT

	6 ft	8 ft	12 ft
General			
(A) Case Length (without ends or partitions) <i>(Each end and insulated partition adds 1 1/2 in. (38 mm) to case line up.)</i> Maximum O/S dimension of case back to front <i>(includes bumper)</i>	72 3/8 (1838)	96 3/8 (2448)	144 1/2 (3670)
Back of case to front of splashguard	42 (1064)	42 (1064)	42 (1064)
Back of case to front of splashguard	33 1/2 (851)	33 1/2 (851)	33 1/2 (851)
Back of case to O/S edge of front leg	30 1/4 (768)	30 1/4 (768)	30 1/4 (768)
Distance between edges of external legs and center legs	29 1/2 (750)	41 1/2 (1054)	41 1/2 (1054)
Distance between edges of center legs	NA	NA	43 7/8 (1114)
Distance between front legs and splashguard	2 3/4 (70)	2 3/4 (70)	2 3/4 (70)
Electrical Service <input checked="" type="checkbox"/> <i>(Electrical Field Wiring connection point)</i>			
(B) RH End of case to center of stub up area Back of case to center of stub up area	60 1/4 (1530)	84 1/4 (2140)	132 3/8 (3363)
Length of electrical wireway <input type="checkbox"/> Wireway	26 1/2 (673)	26 1/2 (673)	26 1/2 (673)
(C) RH End of case to LH end of wireway	66 1/8 (1680)	90 1/8 (2289)	138 1/4 (3511)
Waste Outlets (One each end) <input checked="" type="checkbox"/>			
(D) RH End of case to the center of LH waste outlet	60 1/4 (1530)	84 1/4 (2140)	132 3/8 (3363)
RH End of case to the center of RH waste outlet	12 1/8 (307)	12 1/8 (307)	12 1/8 (307)
Back O/S of case to center of waste outlets	31 5/8 (804)	31 5/8 (804)	31 5/8 (804)
Schedule 40 PVC drip pipe	1 1/4 (32)	1 1/4 (32)	1 1/4 (32)
Refrigeration Outlet <input type="checkbox"/>			
Back of case to center of refrigeration outlet	26 1/4 (665)	26 1/4 (665)	26 1/4 (665)
RH end of case to center of refrigeration outlet	8 (203)	8 (203)	8 (203)

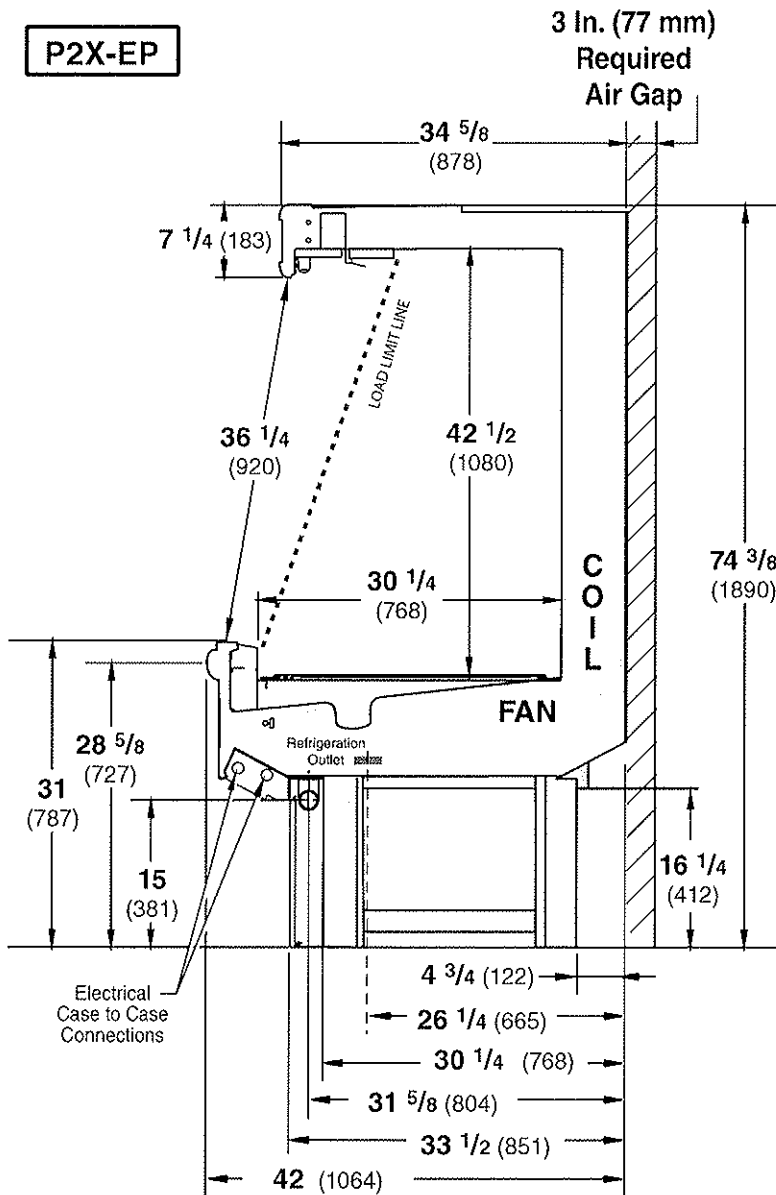
Multi-deck, 2 Display Levels



Hussmann refrigerated merchandisers configured for sale for use in the United States meet or surpass the requirements of the DOE 2017 energy efficiency standards.



Dimensions shown as inches and (mm).



Estimated Charge**		P2X-EP	
6 ft	1.9 lb 30 oz	0.9 kg	
8 ft	2.7 lb 43 oz	1.2 kg	
12 ft	3.9 lb 62 oz	1.8 kg	

**This is an average for all refrigerant types. Actual refrigerant charge may vary by approximately half a pound (8 oz/0.2 kg).

NSF Certification

This merchandiser model is manufactured to meet NSF/ANSI (National Sanitation Foundation) Standard #7 requirements for construction, materials & cleanability.

REFRIGERATION DATA

Note: This data is based on store temperature and humidity that does not exceed 75°F and 55% R.H.

P2X-EP§	UNLIT	LIT
Discharge Air °F	39	39
Evaporator °F	34	34
Unit Sizing °F	32	32

§ Average evaporator temperature shown. Use dew point for high glide refrigerants for unit sizing. Care should be taken to use the dew point in PT tables for measuring and adjusting superheat. Adjust evaporator pressure as needed to maintain discharge air temperature shown.

Btu/hr/ft — Unlit Shelves*

P2X-EP	Parallel	Conventional
UNLIT	889	889

* Add 10 Btu/hr/ft per shelf row for LED fixtures.
Add 20 Btu/hr/ft per shelf row for fluorescent lamps.

DEFROST DATA

	P2X-EP
Frequency (hr)	NONE
Defrost Water (lb/ft/day)	6
(± 15% based on case configuration and product loading).	
OFFTIME	P2X-EP
Time (minutes)	NONE
ELECTRIC OR GAS	Not Recommended

CONVENTIONAL CONTROLS

Low Pressure Backup Control	P2X-EP
CI/CO*	27°F / 17°F

Indoor Unit Only, Pressure Defrost Termination* 48°F

*Use a Temperature Pressure Chart to determine PSIG conversions.

Excel P2X-EP
Bulk Produce

Electrical Data

	6 ft	8 ft	12 ft			
Number of Fans—7W	---	2	3			
Number of Fans—4W	2	---	---			
	Amperes			Watts		
	6 ft	8 ft	12 ft	6 ft	8 ft	12 ft
Evaporator Fan						
120V 50/60Hz Standard Energy Efficient	0.24	0.38	0.57	16	28	42
230V 50/60Hz Standard Energy Efficient	0.12	0.20	0.30	16	28	42
230V 60Hz Export	0.30	0.50	0.75	48	78	117
230V 50Hz Export	0.36	0.56	0.84	54	84	126
Minimum Circuit Ampacity						
120V 50/60Hz Standard Energy Efficient	0.44	0.58	0.77			
230V 50/60Hz Standard Energy Efficient	0.32	0.40	0.50			
230V 60Hz Export	0.50	0.70	0.95			
230V 50Hz Export	0.56	0.76	1.04			
Maximum Over Current Protection 120V	20	20	20			
Maximum Over Current Protection 230V	15	15	15			

Standard Lighting (T-8 fluorescent)

1 Row Canopy	0.51	0.51	0.77	59	59	85
--------------	------	------	------	----	----	----

ONLY LIGHTING CONFIGURATIONS THAT ARE COMPLIANT WITH THE U.S. DEPT. OF ENERGY (DOE) 2017 REGULATION ARE AVAILABLE FOR SALE FOR USE IN THE U.S.A.

Optional Lighting (T-8 fluorescent)

Additional 1 Row Canopy	0.51	0.51	0.77	54	59	85
Additional 2 Row Canopy	1.02	1.02	1.54	118	118	170
Additional 3 Row Canopy	1.53	1.53	2.31	177	177	255
1 Row Rail Light	0.51	0.51	0.77	59	59	85
1 Row of Shelves	0.51	0.51	0.77	59	59	85
2 Rows of Shelves	1.02	1.02	1.54	118	118	170
3 Rows of Shelves	1.53	1.53	2.31	177	177	255

EcoShine II Canopy

EcoShine II	0.26	0.32	0.48	31.6	38.6	58.0
EcoShine II HO	0.33	0.44	0.66	39.5	53.0	79.4

EcoShine II Rail Light —1 Row

	0.12	0.16	0.25	14.1	19.8	29.7
--	------	------	------	------	------	------

EcoShine II Shelves

1 Row of Shelves	0.12	0.16	0.25	14.1	19.8	29.7
2 Rows of Shelves	0.23	0.33	0.49	28.2	39.5	59.3
3 Rows of Shelves	0.35	0.49	0.74	42.3	59.3	89.0

120V Lighting Circuit Total = Standard Lighting + Total Optional Lighting + Optional Shelf Lighting

120V LED Lighting Circuit Total = Canopy Lighting + Shelf Lighting

230V Lighting Circuit Total = Multiply 120V Lighting Circuit Total by 0.52

Please note: some combinations of fluorescent lights on this case model may not be compliant with DOE 2017 and may not be available to order in the US and Canada. More lighting options are available with LED lights. The Hussmann Product Configurator will not allow lighting options that do not comply with the DOE 2017 standards.



Product Data

<i>Recommended Usable Cube</i> ¹ (Cu Ft/Ft)	6.69 ft ³ /ft (0.62 m ³ /m)
<i>AHRI Total Display Area</i> ² (Sq Ft/Ft)	3.06 ft ² /ft (0.93 m ² /m)
<i>Shelf Area</i> ³ (Sq Ft/Ft)	3.87 ft ² /ft (1.18 m ² /m)

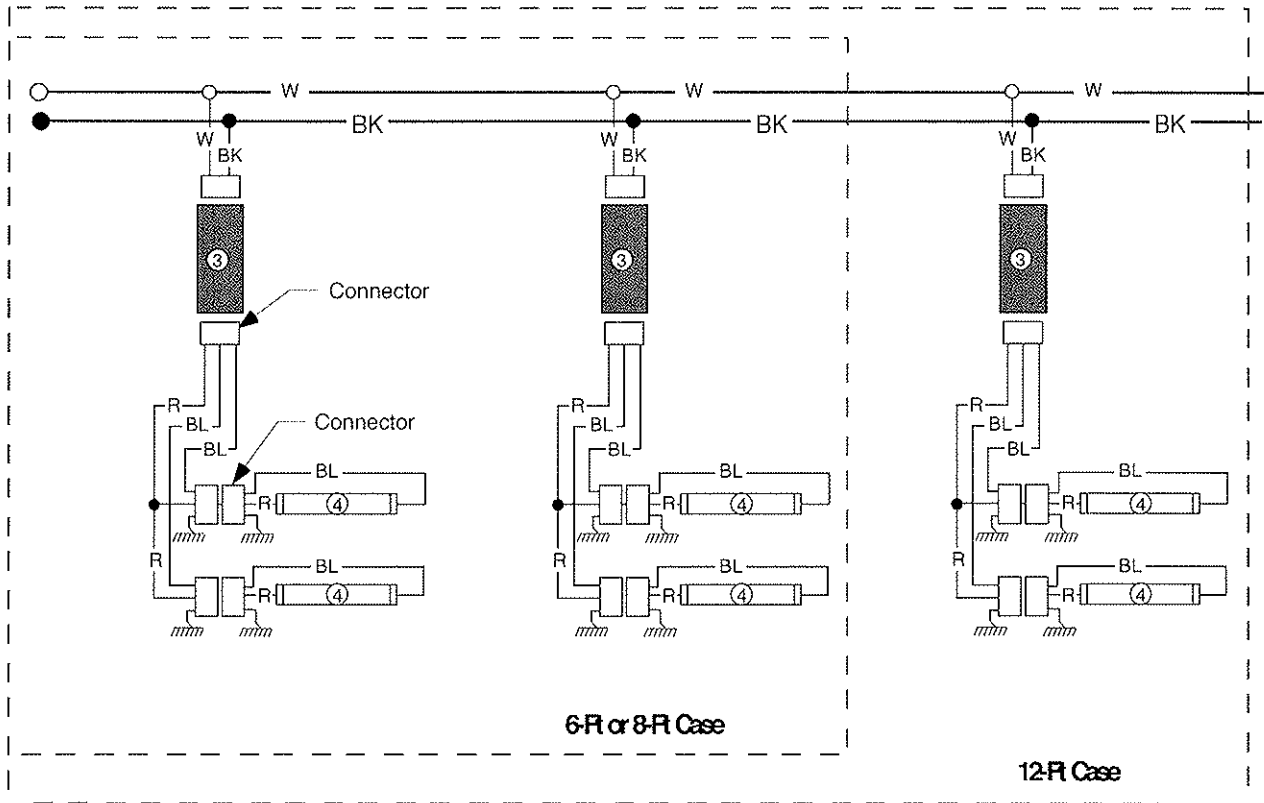
- ¹ AHRI Refrigerated Volume less shelving and other unusable space: Refrigerated Volume/Unit of Length, ft³/ft [m³/m]
- ² Computed using AHRI 1200 standard methodology: Total Display Area, ft² [m²]/Unit of Length, ft [m]
- ³ Shelf surface area is composed of bottom deck plus standard shelf complement, as shown in the Hussmann *Product Reference Guide*. The standard shelf complement for this model is (1) row of 16-inch shelf.

ESTIMATED SHIPPING WEIGHT ⁴				
Case	<i>6 ft</i>	<i>8 ft</i>	<i>12 ft</i>	Solid End
				<i>(each)</i>
lb (kg)	800 (363)	1000 (454)	1200 (544)	75 (34)

⁴ Actual weights will vary according to optional kits included.

**Optional Shelf Lighting
Fluorescent Fixtures**

Optional Shelf Harness and Light Circuits for Two Rows of Shelves



WARNING

All components must have mechanical ground, and the merchandiser must be grounded.

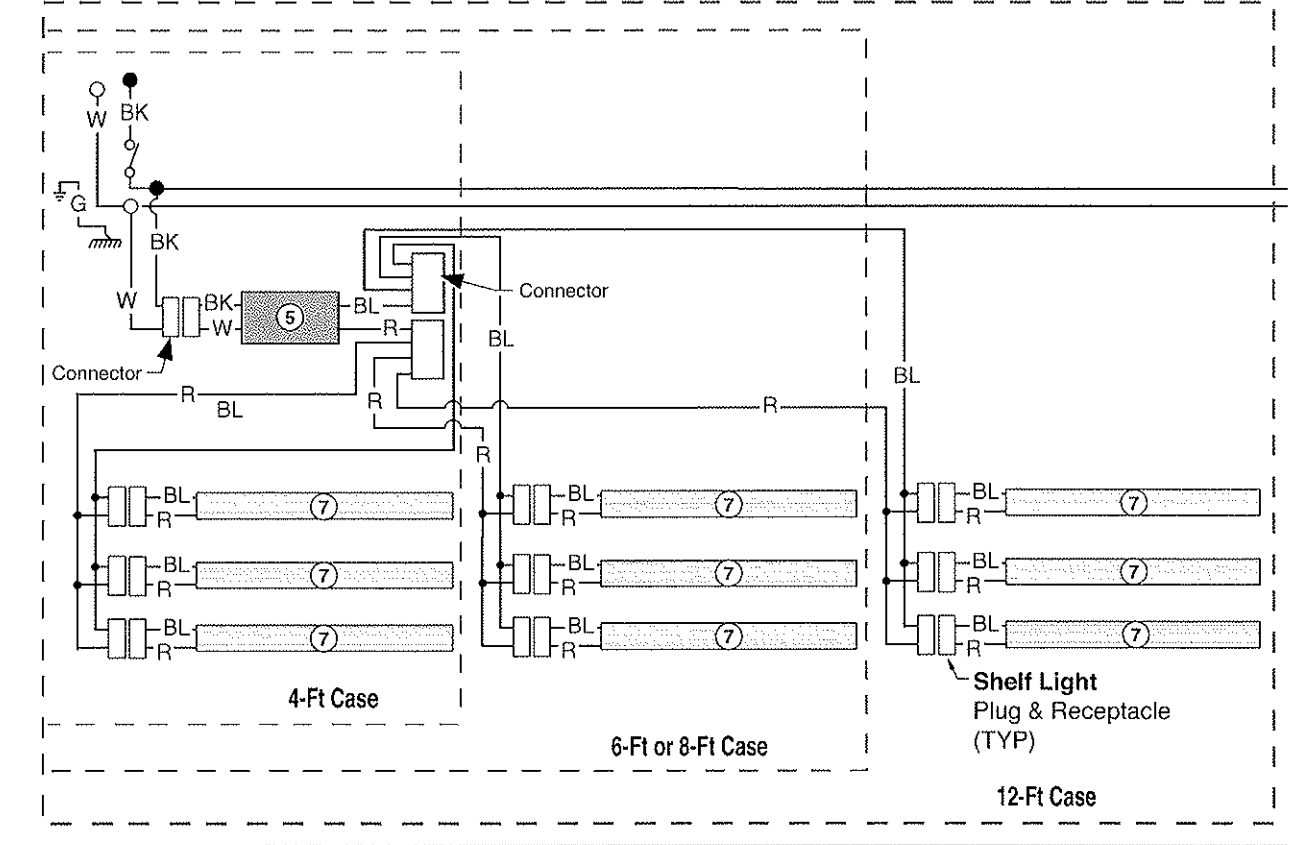
CIRCLED NUMBERS = PARTS LIST ITEM NUMBERS

R = Red Y = Yellow G = Green BL = Blue BK = Black W = White

● = 120V POWER ○ = 120V NEUTRAL ⚡ = FIELD GROUND ⏏ = CASE GROUND

Optional Shelf Lighting
LED Fixtures

Optional Shelf Harness and LED Light Circuits for 2 or 3 Rows of Shelves



WARNING

All components must have mechanical ground, and the merchandiser must be grounded.

CIRCLED NUMBERS = PARTS LIST ITEM NUMBERS

R = Red G = Green BL = Blue BK = Black W = White

● = 120V POWER ○ = 120V NEUTRAL ⊥ = FIELD GROUND ≡ = CASE GROUND

Marco Perforated Clear Acrylic Case Frontguard - 48"L x 6"W x 4"H

[Write a Review](#) | [Ask a Question](#)

In Stock. Ready for delivery to 23831

Est. delivery Jun 08-11 if ordered today. [Details.](#)

Price: **\$76.19**

Savings Available

1	Add To Cart
---	-----------------------------



Stock No.: 54651 , Vendor Part No.:
FGWH-118 4X6X48
Shop All: Marco

- Dividers can organize any display
- Material is durable and break resistant
- Frontguard has perforation holes for air circulation

[More product information...](#)

Length:

Style:

Share This Product:

- [Add To Favorites](#)
- [Print](#)
- [Request A Quote](#)

May We Suggest



Marco Perforated Clear Acrylic Case Frontguard - 24"L x 6"W x 4"H



Marco Solid Clear Acrylic Case Frontguard - 48"L x 6"W x 4"H



Marco Perforated Clear Acrylic Case Frontguard - 36"L x 6"W x 4"H



Marco Solid Clear Acrylic Case Frontguard - 24"L x 6"W x 4"H

Customers Also Bought



Trion Ind WonderBar® Clear Plastic Display Fixture Label Holder - 3L x 6 1/4H



Stainless Steel Sneezeguard Sign Holders - 3L x 6 1/4H



FFR Merchandising Product Divider System Clear Plastic Shelf



Clear PVC Shelf Divider with Magnetic Tape - 22L x 1 3/4W x 1 1/2H

Product Information

Description

These acrylic shelf dividers provide a great way to stay organized. Line up your produce in neat rows or boxes with optional connector pieces. These acrylic shelf dividers are durably made and are break resistant. The 48" x 6" x 4" (L x W x H) separator is perforated to allow air to circulate reducing spoilage.



Specifications

Stock No.	54651
Brand	Marco
VPN	FGWH-118 4X6X48
Case Pack	1
Material	Plastic
Material Qualifier	Acrylic
Color	Clear
Length	48"
Width	6"
Height	4"
Style	Perforated

Reviews

Powered by TurnTo

[Review More Purchases | My Posts](#)

There are no reviews for this item. [Write Review](#)

Q&A

Powered by TurnTo

[Questions that need answers | My Posts](#)

Start typing your question and we'll check if it was already asked and answered. [Learn More](#)

No questions have been asked about this item. Be the first!

[Visit Hubert Canada](#)

© 1998 - 2018 Hubert Company, LLC All Rights Reserved

4.7 ★★★★★
 Google
 Customer Reviews

Expressly HUBERT Slotted Black Epoxy-Coated Wire Product Divider - 30L x 10W x 6H

[Write a Review](#) | [Ask a Question](#)

In Stock. Ready for delivery to 23831

Est. delivery Jun 08-11 if ordered today. [Details](#).

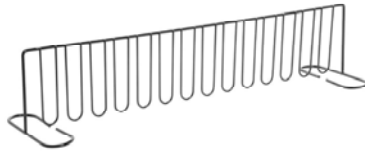
Price: **\$33.49**

Savings Available

1



SELECTION



Stock No.: 79671
Shop All: Expressly Hubert

- These tiered vegetable rack accessories provide great organization for your shelf
- All accessories made of heavy duty solid plastic, providing great durability
- All accessories are optional, but can really organize and make your display stand out



More product information...

[Add To Favorites](#)
[Print](#)
[Request A Quote](#)

Mouse over to zoom. Scroll to zoom in and out

Share This Product:

May We Suggest



Expressly HUBERT Rectangular Black Plastic Tapered



Expressly HUBERT® Rectangular Black Plastic Tapered



Expressly HUBERT® Rectangular Black Plastic Tapered



Expressly HUBERT® Rectangular Natural Plastic Tapered



Expressly HUBERT Rectangular Green Plastic Tapered



Ex R

Customers Also Bought



Expressly HUBERT Clear Plexiglas Fence - 24L x 6W x 1/4H



Expressly HUBERT® Rectangular Black Plastic Produce Basket



Expressly HUBERT Rectangular Black Plastic Tapered



Expressly HUBERT® Rectangular Black Polystyrene Produce



Black Steel Floor Stand Roll Bag Holder/Scale Holder Combo - 22\"/>



Ex F Pc

Product Information

Description

These tiered vegetable rack accessories provide great organization for your produce shelf. The stand attachments are created from wire covered in black epoxy. These tiered vegetable rack accessories are optional, but give your display a great look of organization.



Specifications

Stock No.	79671
Brand	Expressly Hubert

Case Pack	1
Material	Wire
Color	Black
Length	30"
Width	6"

Reviews

Powered by TurnTo

[Review More Purchases](#) | [My Posts](#)

There are no reviews for this item. [Write Review](#)

Q&A

Powered by TurnTo

[Questions that need answers](#) | [My Posts](#)

Start typing your question and we'll check if it was already asked and answered. [Learn More](#)

No questions have been asked about this item. Be the first!

[Visit Hubert Canada](#)

© 1998 - 2018 Hubert Company, LLC All Rights Reserved

4.7 ★★★★★
Google
Customer Reviews