

HUSSMANN®



C2X-EP, **C2X-LEP,**
C2X-LGE, C2X-LGEP

Excel Low Profile, Multi-Deck Convertible Merchandiser
for All Medium Temperature Applications

Husmann Excel Low Profile, Multi-Deck Convertible Merchandiser for Prepared Sandwiches, Salads and Pizza Applications

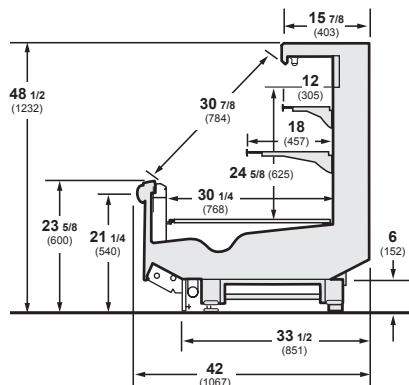
C2X-EP
C2X-LEP

C2X-LGE
C2X-LGEP

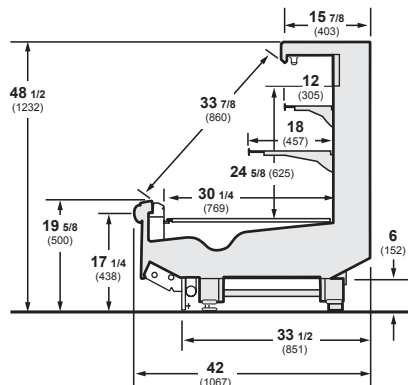
E = Energy Efficient Coil
EP = E Plus, Extra High Efficiency Coil
L = Low Front
G = Glass Front

Available in 8' and 12' lengths. Contact your sales rep for information on possible availability of additional case lengths.

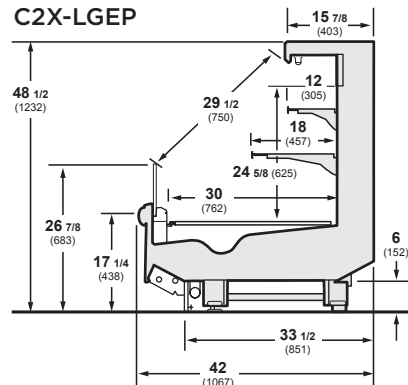
C2X-EP



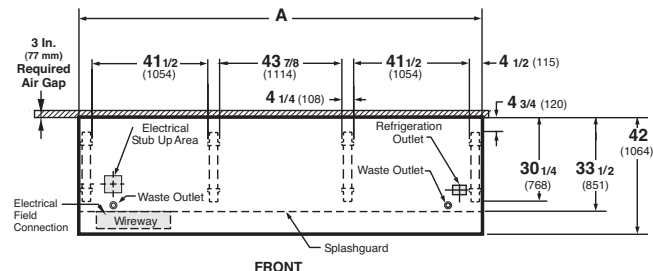
C2X-LEP



C2X-LGE
C2X-LGEP



Plan View



Notes:
Case-to-case electrical connections are made in front of splashguard.
Overall case length without ends or partitions.

Dimensions	8 FT	12 FT
A	96 3/8 (2448)	144 1/2 (3670)

Note

Use Husmann's technical data sheets to get precise dimensions for all store layout purposes.

Superior Merchandising.

The C2X family provides quick, easy shopping access and merchandises a wide variety of refrigerated foods. Ideal for grab-n-go meals or other high margin prepared food selections such as sandwiches, prepared salads, pizza, etc.

Lower Labor Costs.

Labor saving features include greater clearance under the case, easy-to-clean bathtub bottom with no coil in the bottom of the case, easier raceway access, 2-ft honeycomb sections and more.

Superior Shelf Life.

Modular coils and off-time defrost work to reduce thermal shock and stabilize product temperatures, resulting in better freshness and longer shelf life. Modular defrost (optional) can further stabilize temperatures.

Superior Reliability.

Our five-year modular coil warranty is the best available. Pre-set adjustable expansion valves are designed to hold optimal temperatures.

NOTE: These merchandisers are designed for use in stores when temperature and humidity do not exceed 75°F and 55% R.H.

NOTE: We reserve the right to change or revise specifications and product design in connection with any feature of our products. Such changes do not entitle the buyer to corresponding changes, improvements, additions, or replacements for equipment previously sold or shipped.

For additional resources, contact your representative or visit www.husmann.com.



Husmann refrigerated merchandisers configured for sale for use in the United States meet or surpass the requirements of the DOE 2017 energy efficiency standards.



Husmann Corporation
12999 St. Charles Rock Rd.
Bridgeton, MO 63044-2483
Ph: 314.291.2000

www.husmann.com