



M1X-GE

M1X-E, **M1X-EP**, M1X-GE, M1X-GEP

Excel Single-Deck Display Merchandisers
for Fresh Meat Applications

Husmann Excel Single-Deck Display Merchandisers for Fresh Meat Applications

M1X-E - Single-Deck

M1X-EP - Single-Deck, High Efficiency

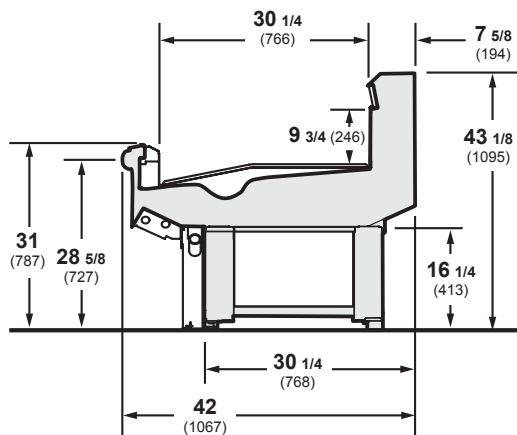
M1X-GE - Single-Deck, Glass Front

M1X-GEP - Single-Deck, Glass Front, High Efficiency

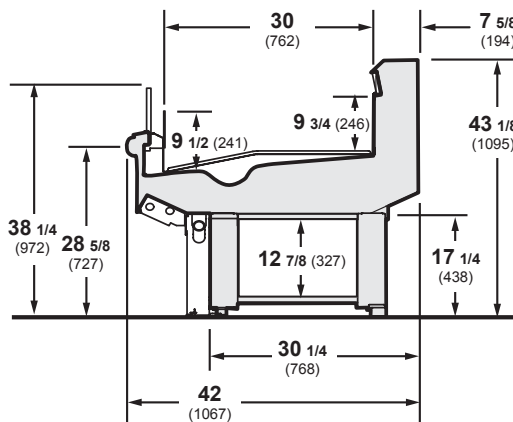
Available in 8' and 12' lengths.

Contact your sales rep for information on possible availability of additional case lengths.

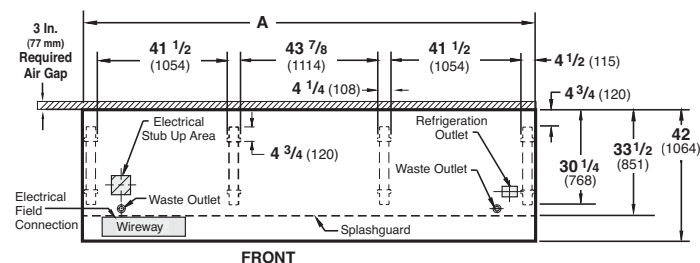
M1X-E, M1X-EP



M1X-GE, M1X-GEP



Plan View



Dimension	8 FT	12 FT
A	96 3/8 (2448)	144 1/2 (3670)

Notes:
Overall case length without ends or partitions.

Note

Use Husmann's technical data sheets to get precise dimensions for all store layout purposes.

Excellent Merchandising

Easy reach and a wide open deck create an effective M1X merchandising platform in applications requiring single-deck meat display. A glass front option increases the visibility of your fresh meat products.

Superior Shelf Life

Modular coils and off-time defrost reduce thermal shock and stabilize meat temperatures, resulting in fresher meats and longer shelf life. Modular defrost can be optionally included to further stabilize temperatures.

Lower Labor Costs

Labor saving features include greater clearance under the case, easy-to-clean bathtub bottom, easier raceway access, 2-ft honeycomb sections and more.

Superior Reliability

Our five year modular coil warranty is the best available. Pre-set adjustable expansion valves are designed to hold optimal temperatures.

DOE 2017 Energy Efficiency Compliant Husmann refrigerated merchandisers configured for sale for use in the United States meet or surpass the requirements of the DOE 2017 energy efficiency standards.

NOTE: These merchandisers are designed for use in stores when temperature and humidity do not exceed 75°F and 55% R.H.

NOTE: We reserve the right to change or revise specifications and product design in connection with any feature of our products. Such changes do not entitle the buyer to corresponding changes, improvements, additions, or replacements for equipment previously sold or shipped.

For additional resources, contact your representative or visit www.husmann.com.

HUSMANN®

Husmann Corporation
12999 St. Charles Rock Rd.
Bridgeton, MO 63044-2483
Ph: 314.291.2000

www.husmann.com