

HUSSMANN®



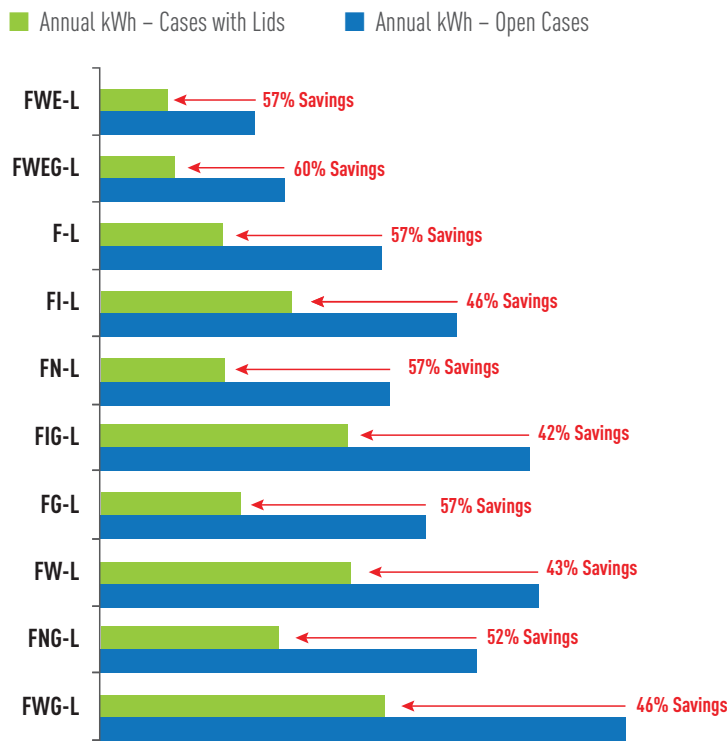
F-L, FG-L, FI-L, FIG-L, FN-L,
FNG-L, FW-L, FWG-L, FWGHL,
FWE-L, FWEG-L, FWEGHL

Island and Well Cases with Sliding Glass Lids
- Save up to 60% in case energy costs

Closing the Lid on High Energy Costs



Annual kWh Comparison:
Open Cases vs Cases with Lids



Note: Assuming 12 ft case length.

Husmann is now offering sliding glass lids for single deck island merchandisers. These lids save up to 60% in case energy costs, while enhancing merchandising appeal with sleek, curved glass design. The scratch resistant glass helps stabilize product temperatures, resulting in better product integrity.

For field installed upgrades or on original equipment

Upgrade and original equipment lids are available and have been designed to fit all Excel single deck islands for frozen food, ice cream and medium temp applications, including FW, FWG, FWE, FWEG, FI, FIG, FN, FNG, F, and FG. Rebates or incentives may be available from your local utility company for upgrading existing equipment.

Full access to all products

Easy sliding push-pull glass lid system allows all products to be shopped at the same time, on both sides of the case. Smart multi-pane design allows full access to all merchandise for shopping and stocking.

Excellent merchandise visibility

The sleek, curved glass design is an attractive addition to the case and provides excellent visibility of all food items.

LED lighting optionally available for retrofit applications only.

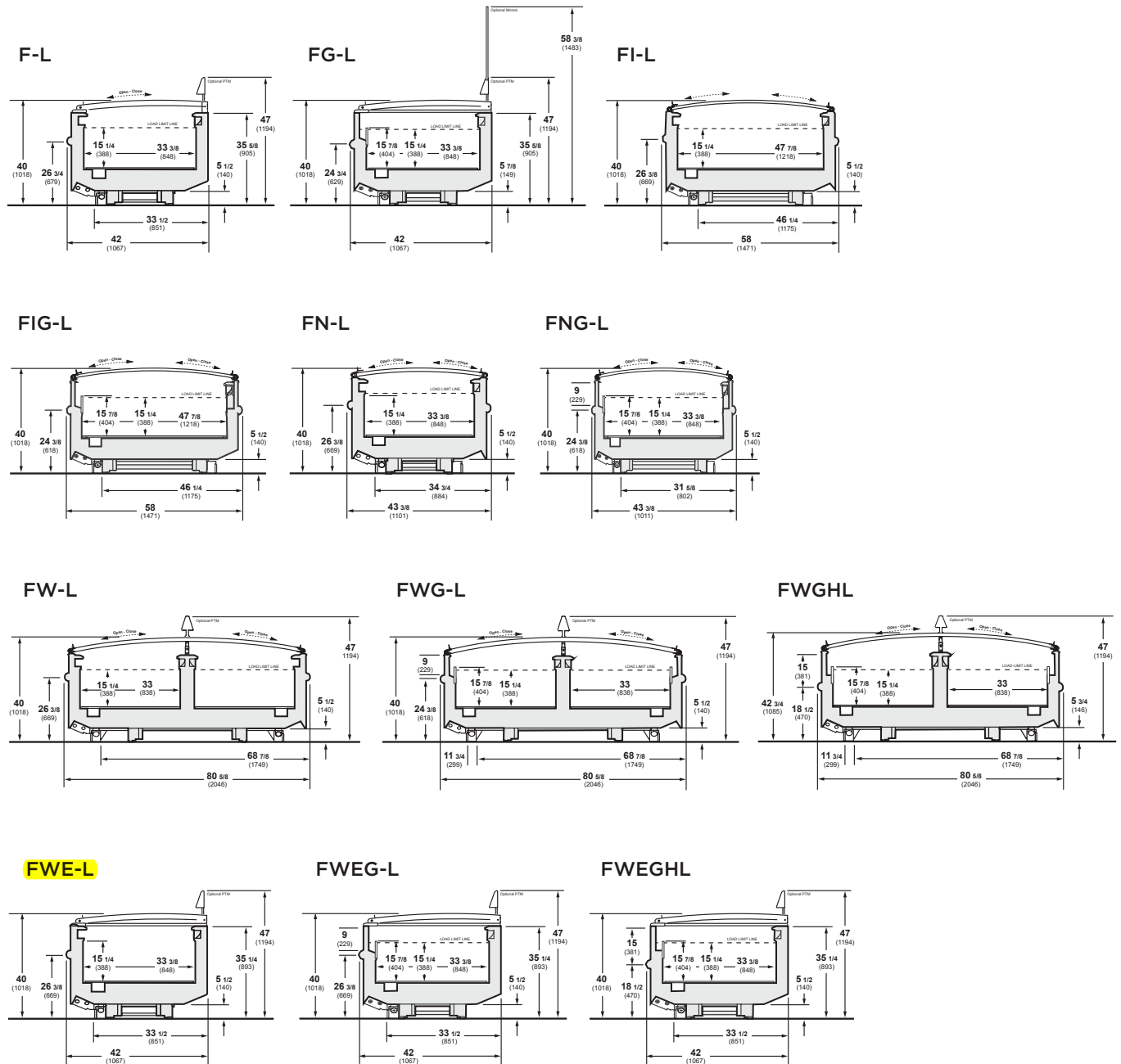
NOTE: Optional price tag molding comes in one or three levels and is mounted above the lids.

Husmann Island and Wall Merchandisers with Sliding Glass Lids

F-L, FG-L, FI-L, FIG-L,
FN-L, FNG-L,
FW-L, FWG-L, FWGHL,
FWE-L, FWEG-L, FWEGHL

F = Frozen
L = Lids
G = Glass Front
I = Island

N = Narrow Island
W = Wide Island
GH = High Glass Front
E = End Case

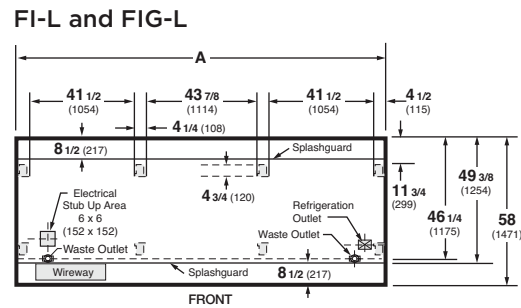
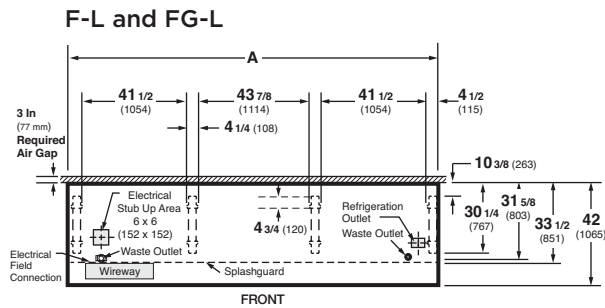


NOTE: Use Husmann's technical data sheets to get precise dimensions for all store layout purposes.

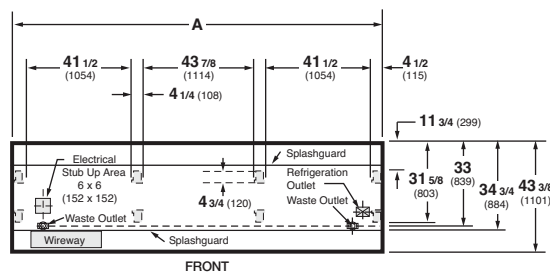
Hussmann Island and Wall Merchandisers with Sliding Glass Lids

Plan Views -

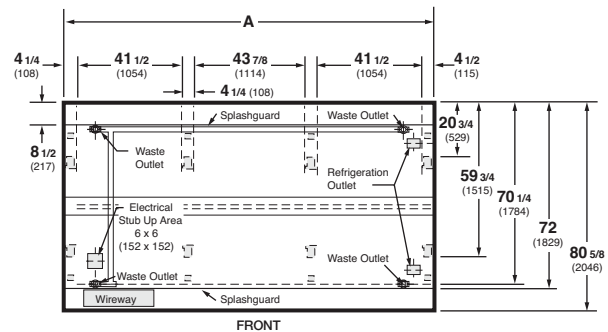
Available in 8' and 12' lengths. Contact your sales rep for information on possible availability of additional case lengths.



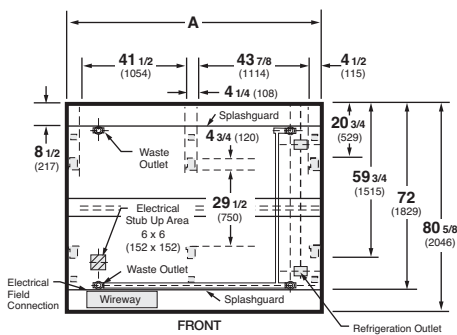
FN-L and FNG-L



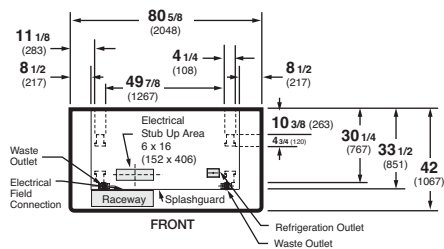
FW-L and FWG-L



FWGHL



FWE-L, FWEG-L, and FWEGHL



Dimensions	8 FT	12 FT
A	96 1/4 (2445)	144 3/8 (3667)

Note: Overall case length without ends or partitions.

NOTE: Use Hussmann's technical data sheets to get precise dimensions for all store layout purposes.

NOTE: These merchandisers are designed for use in stores when temperature and humidity do not exceed 75°F and 55% R.H.

NOTE: We reserve the right to change or revise specifications and product design in connection with any feature of our products. Such changes do not entitle the buyer to corresponding changes, improvements, additions, or replacements for equipment previously sold or shipped. For additional resources, contact your representative or visit www.hussmann.com.



Hussmann Corporation
12999 St. Charles Rock Rd.
Bridgeton, MO 63044-2483
Ph: 314.291.2000

www.hussmann.com

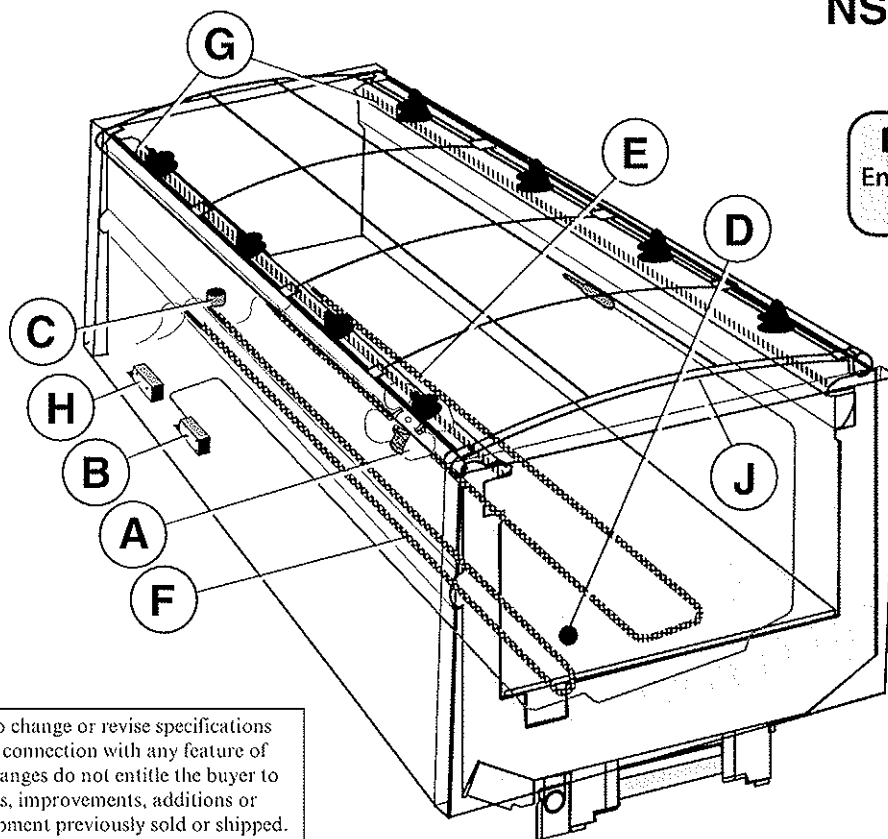
HUSSMANN®
Excel



FWE-L
Technical Data Sheet
P/N 0523828_C

NSF® Certified
March 2017

DOE 2017
Energy Efficiency
Compliant



We reserve the right to change or revise specifications and product design in connection with any feature of our products. Such changes do not entitle the buyer to corresponding changes, improvements, additions or replacements for equipment previously sold or shipped.

Item	Part #	Description	Wiring Item #	Item	Part #	Description	Wiring Item #
FAN ASSEMBLIES, AND THERMOSTATS				HEATERS			
A.	4W Standard Energy Efficient Fan Assembly (1)			E.	208V Evaporator Defrost Heaters (5)		
	0477653	Fan Motor, Evaporator (MO.4410544)			3016522	End case (HE.4850620)	
	0252116	Fan Blade (FB.4780611)		F.	208V Drip Pan Defrost Heaters, Electric (6)		
B.	Optional Adjustable Refrigeration Thermostat(2)				0444300	End case (HE.4850609)	
C.	0398557	Defrost Termination Thermostat (3) (Electric Defrost only) (CT.4440611)			120V Drip Pan Defrost Heaters, Koolgas (7)		
					0465906	End case (HE.4850628)	
D.	0481370	Heater Switch (4) (Koolgas Defrost only) (CT.4440738)		G.	Nosing Anti-sweat Heaters (8)		
					0524418	End case (HE.4851256)	
				GLASS LID PARTS ARE LISTED ON PAGE 5.			
				OPTIONAL LED FIXTURES AND POWER SUPPLY			
				H.	0501213	Power Supply (EP.4481861) (9)	
				J.		LED Fixture (10)	

Data sheet-Excel-FWE-L

Note: Revision C: Added high glide refrigerant note. Other changes marked by bar, underline or circle.

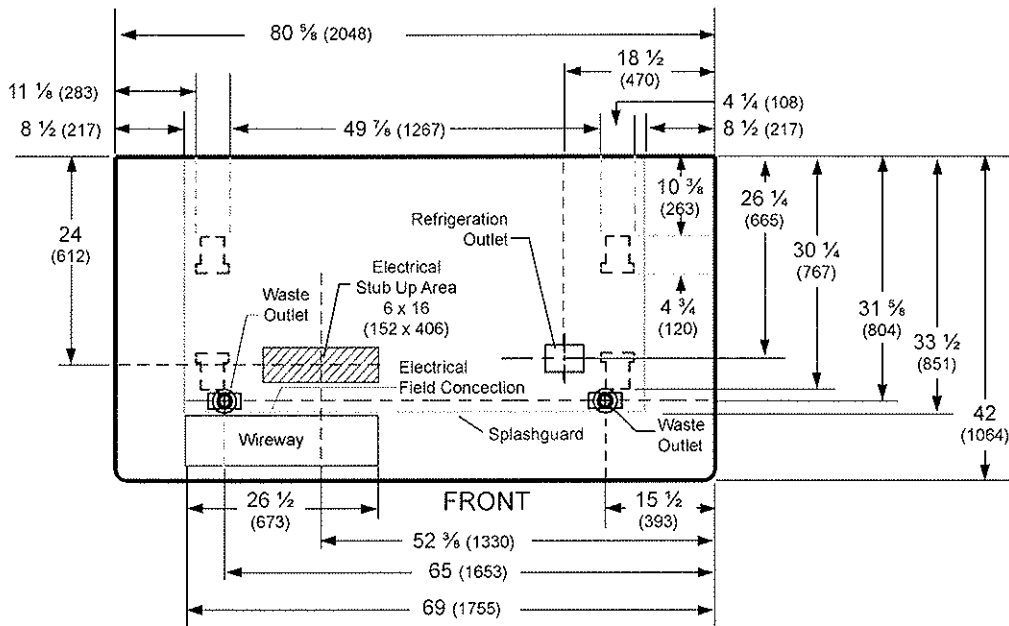
Engineering Plan Views

PHYSICAL DATA	
Merchandiser Drip Pipe (in.)	1 1/4
Merchandiser Liquid Line (in.)	3/8
Merchandiser Suction Line (in.)	5/8

**Low / Medium Temperature
Wide Island End case**

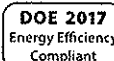
Dimensions shown as inches & (mm).

10-2004



	End Case
General	
Case Length — Outside	80 5/8 (2048)
Inside Length	73 5/8 (1870)
Maximum O/S dimension of case back to front <i>(includes bumper)</i>	42 (1064)
Back of case to front of splashguard	33 1/2 (851)
Back of case to O/S edge of front leg	30 1/4 (767)
Distance between edges of external legs and center legs	48 1/2 (1234)
Distance between edges of center legs	NA
Distance between front legs and splashguard	3 1/8 (82)
Electrical Service <input checked="" type="checkbox"/> <i>(Electrical Field Wiring connection point)</i>	
RH End of case to center of stub up area	52 3/8 (1653)
Back of case to center of stub up area	24 (612)
Length of electrical wireway Wireway	26 1/2 (673)
RH End of case to LH end of wireway	69 (1755)
Waste Outlets <i>(One each end)</i> <input checked="" type="checkbox"/>	
RH End of case to the center of LH waste outlet	65 (1653)
RH End of case to the center of RH waste outlet	15 1/2 (393)
Back O/S of case to center of waste outlets	31 5/8 (804)
Schedule 40 PVC drip pipe	1 1/4 (32)
Refrigeration Outlet <input checked="" type="checkbox"/>	
Back of case to center of refrigeration outlet	26 1/4 (665)
RH end of case to center of refrigeration outlet	18 1/2 (470)

Single Level End Display with Solid Front and Lids

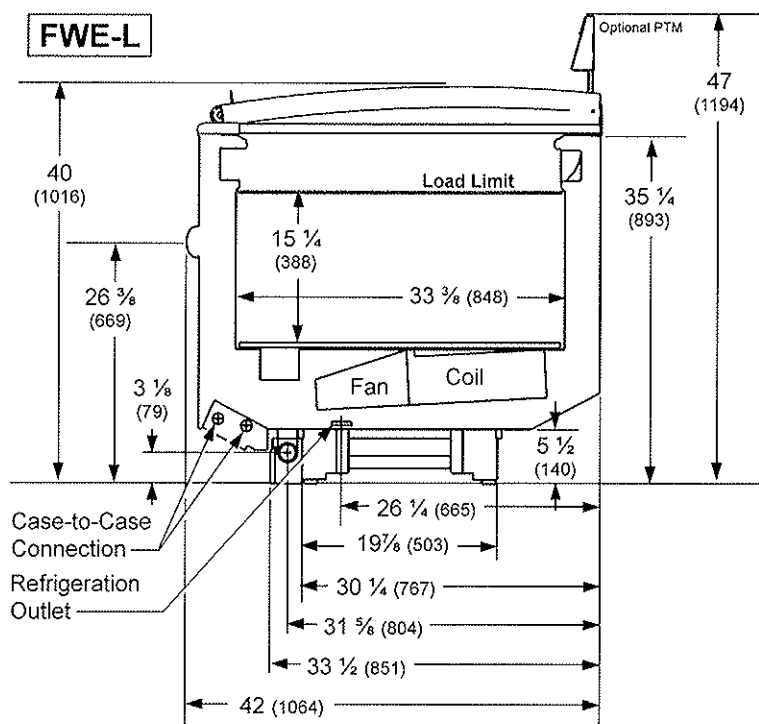


Hussmann refrigerated merchandisers configured for sale for use in the United States meet or surpass the requirements of the DOE 2017 energy efficiency standards.

Excel **FWE-L**

Low / Medium Temperature

Dimensions shown as inches & (mm).



REFRIGERATION DATA**§

Note: This data is based on store temperature and humidity that does not exceed 75°F and 55% R.H.

	MED	FF	IC
Discharge Air (°F)	+32	-10	-19
Evaporator (°F)	+25	-15	-24
Unit Sizing (°F)	+23	-18	-27

§ Average evaporator temperature shown. Use dew point for high glide refrigerants for unit sizing. Care should be taken to use the dew point in PT tables for measuring and adjusting superheat. Adjust evaporator pressure as needed to maintain discharge air temperature shown.

Btu/hr/case*	MED	FF	IC
Parallel	488	922	974
Conventional	498	962	1016

* Add 60 Btu/hr/case for LED lighting.

**Dual temperature operation kits are not suitable for ice cream temperature applications.

DEFROST DATA

	MED	FF	IC
Frequency (hr)	24	24	24
Defrost Water (lb/case/day)	2.6	2.3	2.0

(± 15% based on case configuration and product loading).

ELECTRIC	MED	FF	IC
Temp Term (°F)	48	48	48
Failsafe (minutes)	30	50	60

GAS	MED	FF	IC
Duration (minutes)	NA	15	18

OFFTIME Not Recommended

Standard Defrost Thermostat

Close on rise: close 48°F — open 33°F

CONVENTIONAL CONTROLS

Low Pressure Backup Control — CI/CO **

MED	+28°F / +16°F
FF	-15°F / -27°F
IC	-21°F / -33°F

Indoor Unit Only, Pressure Defrost Termination***

Not Recommended

***Use a Temperature Pressure Chart to determine PSIG conversions.

Estimated Charge ****

End 1.5 lb 24 oz 0.7 kg

****This is an average for all refrigerant types. Actual refrigerant charge may vary by approximately half a pound (8 oz/0.2 kg).

Length Added to Lincup: 42 (1064)

This End Case is used in place of an End Assembly. Partitions do not apply.

NSF Certification

This merchandiser model is manufactured to meet NSF/ANSI (National Sanitation Foundation) Standard #7 requirements for construction, materials & cleanability.

Excel FWE-L Low / Medium Temperature

Electrical Data

			Standard End	
Number of Fans – 4W Evaporator			1	
			Amperes	Watts
			End	End
Evaporator Fans				
120V	50/60Hz	Standard Energy Efficient	0.12	8
230V	50/60Hz	Standard Energy Efficient	0.06	8
230V	60Hz	Export	0.15	24
230V	50Hz	Export	0.18	27
Anti-sweat Heaters (on fan circuit)				
120V	50/60Hz	Standard	0.20	24
230V	50/60Hz	Export	0.10	24
Minimum Circuit Ampacity				
120V	50/60Hz	Standard Energy Efficient	0.52	0.92
230V	50/60Hz	Standard Energy Efficient	0.36	0.57
230V	60Hz	Export	0.45	0.66
230V	50Hz	Export	0.48	0.69
Maximum Over Current Protection 120V			20	20
Maximum Over Current Protection 230V			15	15
208V Electric Defrost			6.54	1360
230V Export Electric Defrost			5.91	1360
120V Koolgas Defrost			1.33	160

ONLY LIGHTING CONFIGURATIONS THAT ARE COMPLIANT WITH THE U.S. DEPT. OF ENERGY (DOE) 2017 REGULATION ARE AVAILABLE FOR SALE FOR USE IN THE U.S.A.

Standard Lighting

None

Optional Lighting

LED	120V	50/60Hz	0.28	34
LED	230V	50/60Hz	0.15	34

Please note: some combinations of fluorescent lights on this case model may not be compliant with DOE 2017 and may not be available to order in the US and Canada. More lighting options are available with LED lights. The Hussmann Product Configurator will not allow lighting options that do not comply with the DOE 2017 standards.

Excel **FWE-L**
Low / Medium Temperature

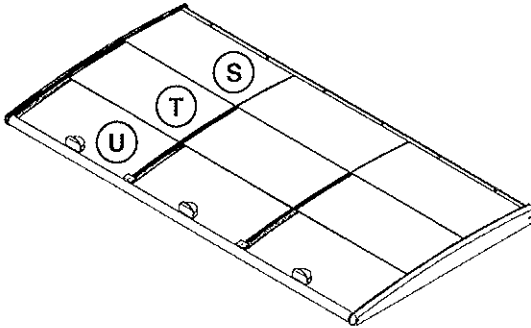
Product Data

<i>Recommended Usable Cube</i> ¹ (Cu Ft/Ft)	3.54 ft ³ /ft (0.33 m ³ /m)
<i>AHRI Total Display Area</i> ² (Sq Ft/Ft)	2.60 ft ² /ft (0.79 m ² /m)
<i>Shelf Area</i> ³ (Sq Ft/Ft)	2.79 ft ² /ft (0.85 m ² /m)

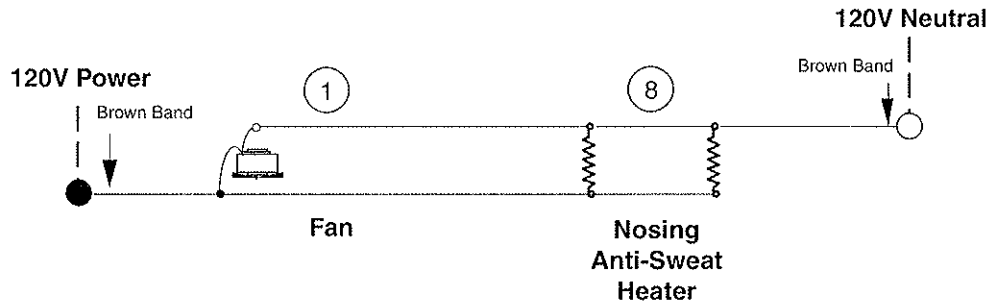
- ¹ AHRI Refrigerated Volume less shelving and other unusable space: Refrigerated Volume/Unit of Length, ft³/ft [m³/m]
- ² Computed using AHRI 1200 standard methodology: Total Display Area, ft² [m²]/Unit of Length, ft [m]
- ³ Shelf surface area is composed of bottom deck plus standard shelf complement, as shown in the Hussmann *Product Reference Guide*. The standard shelf complement for this model is NONE.

ESTIMATED SHIPPING WEIGHT ⁴						
Case						End
lb (kg)	NA (NA)	NA (NA)	NA (NA)	NA (NA)	NA (NA)	590 (269)
⁴ Actual weights will vary according to optional kits included.						

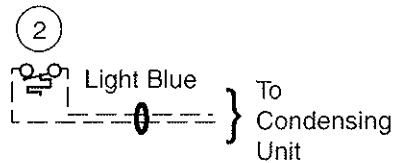
Glass Lid Replacement Parts		
S.	0524250	Top Glass B00159 (GL.4998354)
T.	0524251	Middle Glass B00160 (GL.4998355)
U.	0524252	Bottom Glass with Handle B00161 (GL.4998356)



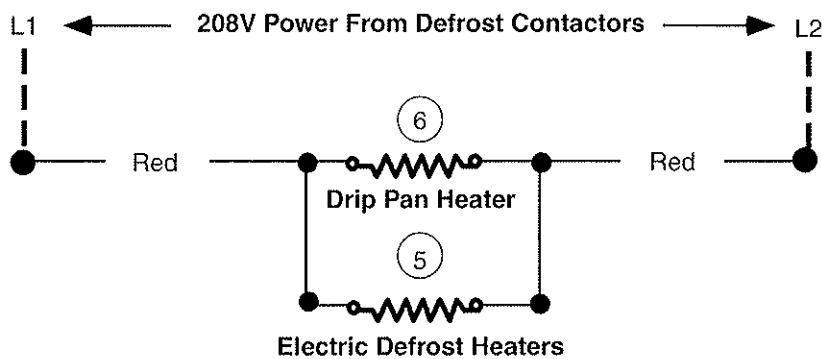
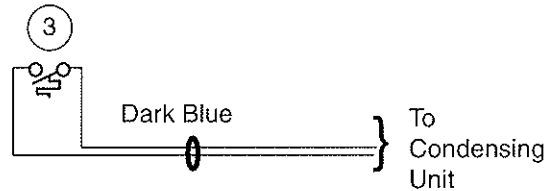
Electric Defrost – Standard



Refrigeration Thermostat (Optional)



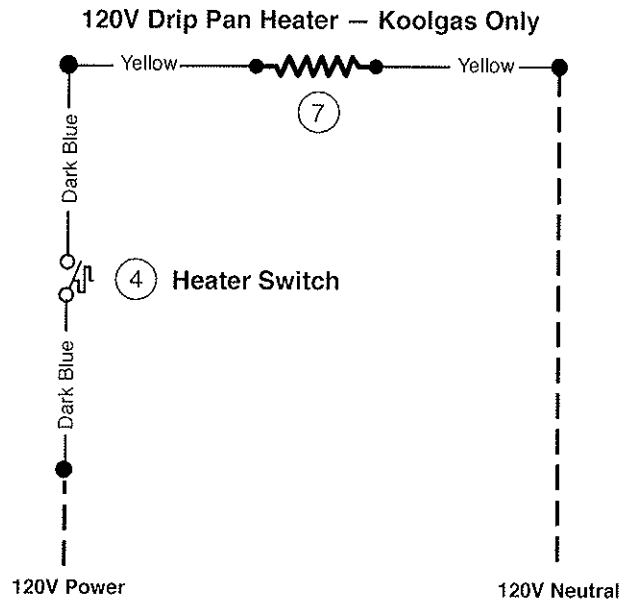
Defrost Termination Thermostat



WARNING

All components must have mechanical ground, and the merchandiser must be grounded.
 Circled Number = Parts List Item Numbers

Gas Defrost – Optional



WARNING

All components must have mechanical ground, and the merchandiser must be grounded.

Circled Number = Parts List Item Numbers

**Optional LED Lighting
Wiring Diagrams**

