

HUSSMANN®



DD5X-LP, DD6X-LP,
DD5NX-L, DD6NX-L

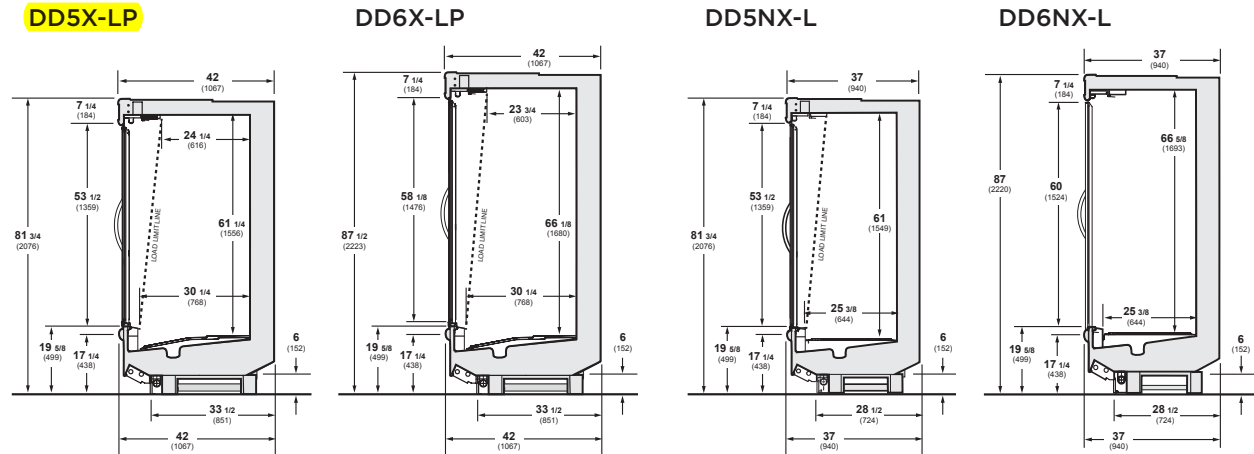
Excel Multi-Deck Dairy/Deli Merchandisers
with Glass Doors

Husmann Excel Multi-Deck Merchandisers with Glass Doors for Dairy and Deli Applications

DD5X-LP - Glass Doors, Low Front, Plus Coil
DD5NX-L - Glass Doors, Narrow Footprint,
 Low Front

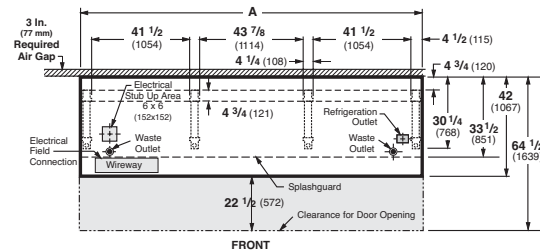
DD6X-LP - Glass Doors, Extra Tall, Low Front,
 Plus Coil
DD6NX-L - Glass Doors, Extra Tall,
 Narrow Footprint, Low Front

Available in 8' and 12' lengths. Contact your sales rep for information on possible availability of additional case lengths.

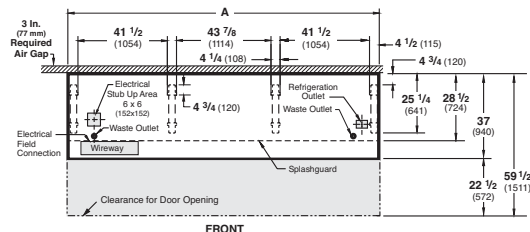


Plan Views

DD5X-LP, DD6X-LP



DD5NX-L, DD6NX-L



Dimensions	8FT	12FT
A	96 1/4 (2445)	144 3/8 (3667)

Note: Case-to-case electrical connections are made in front of splashguard. Overall case length without ends or partitions.

Note

Use Husmann's technical data sheets to get precise dimensions for all store layout purposes.

Features and Benefits:

- EcoVision glass doors provide excellent product visibility and reduce refrigeration energy use up to 82%.
- Narrow 24" french doors preserve aisle space.
- No heat required in doors or frames.
- Narrow footprint models reduce required floor space.
- Energy efficient coils standard.
- 5 year modular coil warranty.

Options Include:

- Various shelves, racks, lighting, paint and bumper colors.
- Door frames, trim and handles available in gray and black.
- Streamline or contour styling.
- Illuminated canopy signs.

NOTE: These merchandisers are designed for use in stores when temperature and humidity do not exceed 75°F and 55% R.H.

NOTE: We reserve the right to change or revise specifications and product design in connection with any feature of our products. Such changes do not entitle the buyer to corresponding changes, improvements, additions, or replacements for equipment previously sold or shipped.

For additional resources, contact your representative or visit www.husmann.com.



Husmann refrigerated merchandisers configured for sale for use in the United States meet or surpass the requirements of the DOE 2017 energy efficiency standards.



Husmann Corporation
 12999 St. Charles Rock Rd.
 Bridgeton, MO 63044-2483
 Ph: 314.291.2000

www.husmann.com