

**HUSSMANN®**

---



CW2UGE

---

# CW2UGE, CW2EGE, CW2GE

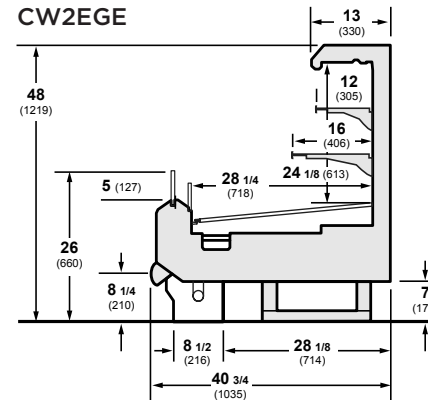
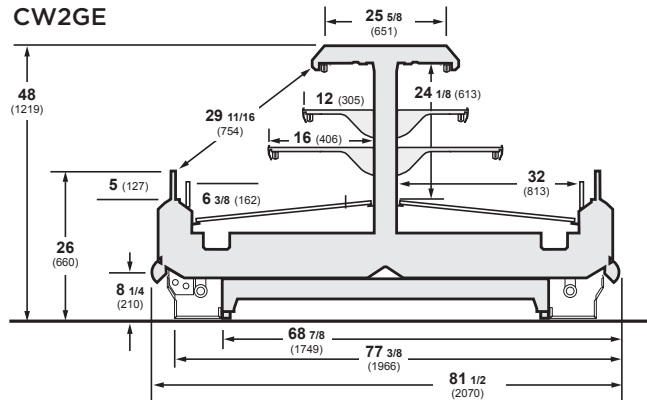
Excel Low Profile Multi-Deck  
Unitized Convertible Island Merchandiser

## Hussmann Excel Low Profile Multi-Deck Unitized Convertible Island Merchandiser

**CW2U90GE** - Unitized, 48" Height, 90" Length, Glass Front, High Efficiency  
**CW2U138GE** - Unitized, 48" Height, 138" Length, Glass Front, High Efficiency

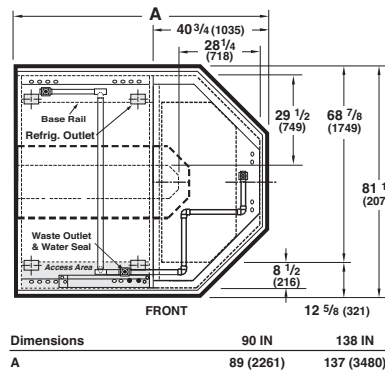
**CW2GE** - Center Case  
**CW2EGE** - End Case

### CW2UGE CW2GE



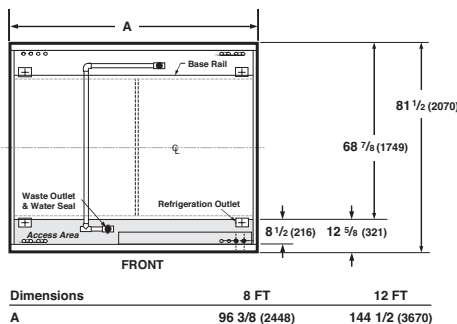
### Plan View

#### CW2UGE



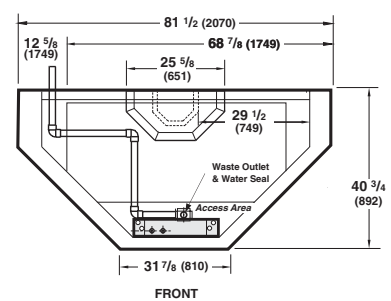
Notes: Electrical field wiring connection point.  
 Overall case length without ends or partitions.

#### CW2GE



Notes: Electrical field wiring connection point.  
 Overall case length without ends or partitions.

#### CW2EGE



Notes: Maximum dimension of case (back to front) includes bumper. Overall case length without ends or partitions.

### Note

Use Hussmann's technical data sheets to get precise dimensions for all store layout purposes.

### Shop Around, Convertible Merchandising

Use with high margin items to help boost sales. This low height, convertible multi-deck island can be used for any medium temperature application. Great for prepared foods or other grab-n-go items. High visibility and easy access increase merchandising appeal.

### Unitized Construction

The end and center portions of the "U" models are constructed as a single, unitized case. By connecting two unitized cases together at a single joint, adding an end case, or including additional center cases, you can have a complete shop around island of almost any length. The unitized design greatly simplifies installation.

### Shelving Flexibility

Shelves are available in 12", 14", 16" and 18" depths. Shelves can be used for excellent display flexibility.



Hussmann refrigerated merchandisers configured for sale for use in the United States meet or surpass the requirements of the DOE 2017 energy efficiency standards.

NOTE: These merchandisers are designed for use in stores when temperature and humidity do not exceed 75°F and 55% R.H.

NOTE: We reserve the right to change or revise specifications and product design in connection with any feature of our products. Such changes do not entitle the buyer to corresponding changes, improvements, additions, or replacements for equipment previously sold or shipped.

For additional resources, contact your representative or visit [www.hussmann.com](http://www.hussmann.com).



Hussmann Corporation  
 12999 St. Charles Rock Rd.  
 Bridgeton, MO 63044-2483  
 Ph: 314.291.2000

[www.hussmann.com](http://www.hussmann.com)