

Fusion

Product Specifications

ITEM NO: _____
 PROJECT: **CED 1D07 (S/C)**
 DATE: _____

Combination Prep/Refrigerated Self-Service Case w/ Rear Storage



MODEL SHOWN: GP441RR

NOTE: INTERIOR PANS NOT PROVIDED W/CASE GP441RR HOLDS (2) FULL SIZE 4"D PANS
 GP641RR = (3) PANS - GP841RR = (4) PANS

- GP441RR
- GP641RR
- GP841RR

Lengths include end panels
 51"L x 51-3/4"D x 43"H
 75-3/8"L x 51-3/4"D x 43"H
 99-3/4"L x 51-3/4"D x 43"H

STANDARD FEATURES

- Breeze™ w/EnergyWise s/c refrigeration
- Compressor air intake from rear and out front panel at toe kick. Front panel cannot be blocked.
- Condiment pan support rails
- Integrated average product temperature of 40°F or less
- LED 4000K top light(s)
- NOTE: Pans not supplied with case.
- NOTE: Remote only available w/rail base w/shims. N/A w/levelers, casters or legs.
- One year parts & labor; 5 year compressor warranty
- Shelving removable and adjustable on 1" centers
- Stainless steel rear exterior

Features	Standard	Options
EXTERIOR COLOR	<input type="checkbox"/> Laminated (non-premium) Confirm pattern/grain direction	<input type="checkbox"/> Laminated (premium) Confirm pattern/grain direction <input type="checkbox"/> Stainless steel
INTERIOR COLOR	<input type="checkbox"/> Black	<input type="checkbox"/> Stainless steel <input type="checkbox"/> White
LOWER FRONT PANEL COLOR	<input type="checkbox"/> Painted - Black	<input type="checkbox"/> Stainless steel
BASE	<input type="checkbox"/> Casters w/ levelers (n/a w/ remote ref.)	<input type="checkbox"/> 6"H legs (n/a w/ remote ref.)
END PANEL LEFT	<input type="checkbox"/> Full end panel w/mirror interior	<input type="checkbox"/> No end panel w/ synchronized defrost
END PANEL RIGHT	<input type="checkbox"/> Full end panel w/mirror interior	<input type="checkbox"/> No end panel w/ synchronized defrost
REAR STORAGE	<input type="checkbox"/> Non-refrigerated rear storage (w/o doors)	<input type="checkbox"/> Non-refrigerated rear storage (w/doors) <input type="checkbox"/> Refrigerated rear storage (w/doors)
REAR WORK LEDGE	<input type="checkbox"/> White Sanalite®	<input type="checkbox"/> Stainless steel
SNEEZE GUARD POSTS	<input type="checkbox"/> Black	<input type="checkbox"/> Silver
SNEEZE GUARD	<input type="checkbox"/> Clear glass with top serving shelf	<input type="checkbox"/> No sneeze guard (to be supplied by others in the field)
ELECTRICAL CONNECT	<input type="checkbox"/> 6' straight blade power cord (self-cont.)	<input type="checkbox"/> 6' locking power cord (self-cont.) <input type="checkbox"/> Electrical leads (remote)
REFRIGERATION	<input type="checkbox"/> Breeze™ w/EnergyWise s/c refrigeration	<input type="checkbox"/> NOTE: Remote only available w/rail base w/shims. N/A w/levelers, casters or legs. <input type="checkbox"/> Note: Remote doesn't incl Conds unit. Floor drain reqd. <input type="checkbox"/> Remote w/thermostat, solenoid & TXV
MISCELLANEOUS		<input type="checkbox"/> Rear door lock <input type="checkbox"/> Second year parts & labor warranty (excludes compressor)
ACCESSORIES		<input type="checkbox"/> Additional non-lighted metal shelf <input type="checkbox"/> Clean Sweep® coil cleaner (n/a w/remote) <input type="checkbox"/> Night curtain, retractable, non-locking <input type="checkbox"/> Removable wire security cover, locking

Fusion

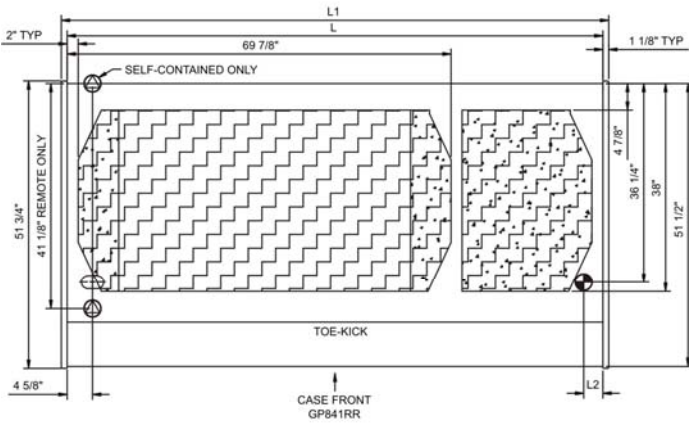
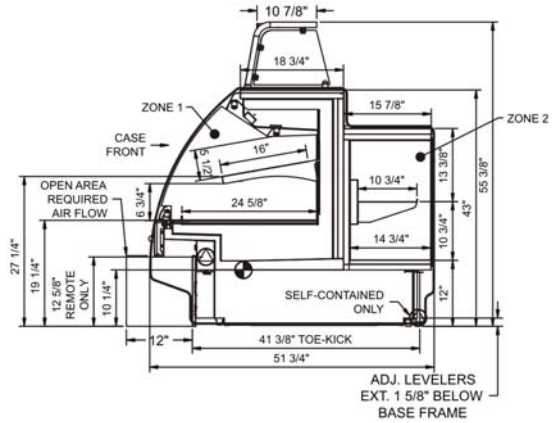
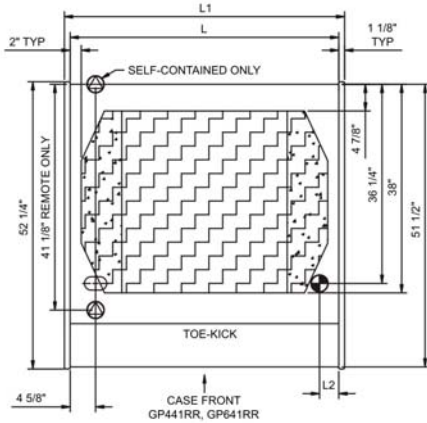
Product Specifications

CED 1D07 (S/C)

Intended Environment: Type I - Designed to operate in ambient conditions of 75°F with 55% relative humidity unless noted otherwise in system information below.		Warmest Avg Prod Temp ° F
Zone	Intended Product To Be Displayed	
All	Packaged / unpackaged refrigerated products	40

PLAN VIEW

SIDE VIEW



NOTE: ALL DIMENSIONS APPROXIMATE

- ELECTRICAL JUNCTION BOX (SUPPLIED WITH 6\"/>
- REMOTE FLOOR SINK & UTILITIES ACCESS AREA.
- LOCATION OF DRAIN TUBE FOR REMOTE REF. ONLY (SUPPLIED WITH 3/4\"/>
- REFRIGERATION LINE CONNECTION.
- SELF-CONTAINED CASE SERVICE ACCESS AREA.
- DRY CASE SERVICE ACCESS AREA.

Model Technical Specifications

Model	L"	L1"	L2"	System	Circuit Volts	Phs	Freq	Amps ***	Watts	Wires	NEMA Plug	SST	BTUH	Est Wt
GP441RR	N/A	51.00	3.50	Self-Contained	Circuit #1 120/230V	1	60	11.14	2,200	3+G	14-20P or L14-20P	N/A	N/A	1,300
GP641RR	N/A	75.38	3.50	Self-Contained	Circuit #1 120/230V	1	60	15.59	2,664	3+G	14-20P or L14-20P	N/A	N/A	1,400
GP841RR	N/A	99.75	3.50	Self-Contained	Circuit #1 120/230V	1	60	14.87	3,177	3+G	14-20P or L14-20P	N/A	N/A	1,600

*** Does not include electric defrost on freezer models.

Important Notes:

- 1) ELECTRICAL NOTE: If GFCI is required, a GFCI breaker MUST be used in lieu of a GFCI receptacle
- 2) 52" minimum door entry clearance required (without shipping skid).
- 3) Units are supplied with levelers. They must be adjusted during installation to ensure the unit is level and plumb. Dimensions reflect levelers extended 1 1/4".

Regulatory Approvals:

All Models	Accordance with AHRI Std 1200 ETL Listed to UL 471 ETL Listed to CAN/CSA 22.2 No. 120 ETL Sanitation to NSF 7
------------	--

