

HUSSMANN®



DD5X/DD6NX

Excel Multi-Deck Dairy/Deli Merchandiser
with Glass Doors

Hussmann Excel Multi-Deck Merchandiser with Glass Doors for Dairy and Deli Applications

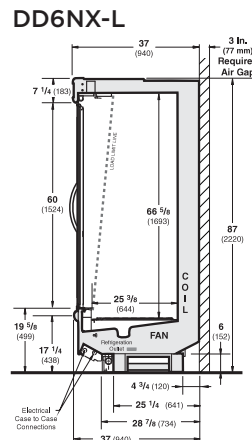
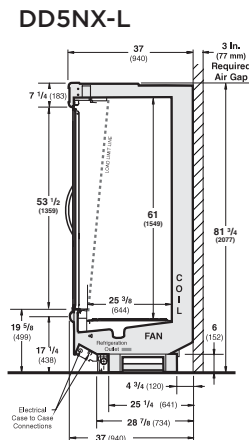
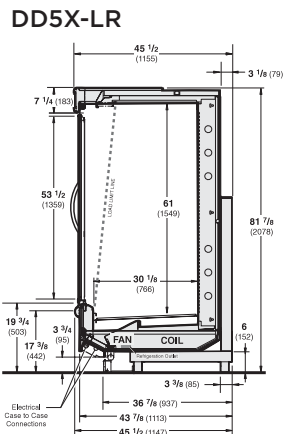
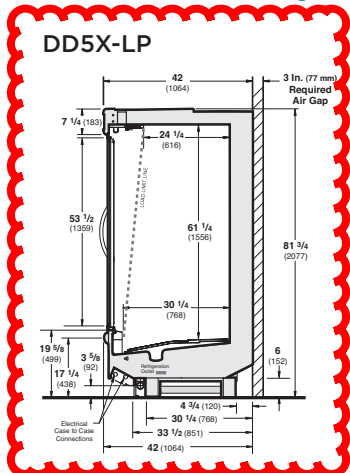
DD5X-LP - Glass Doors, Low Front, Plus Coil

DD5X-LR - Glass Doors, Low Front, Sliding Rear Doors

DD5NX-L - Glass Doors, Narrow Footprint, Low Front

DD6NX-L - Glass Doors, Extra Tall, Narrow Footprint, Low Front

Available in 8' and 12' lengths. Contact your sales rep for information on possible availability of additional case lengths.



Plan Views -

Dimensions:

A = 8 Ft 96-3/8" (2448)

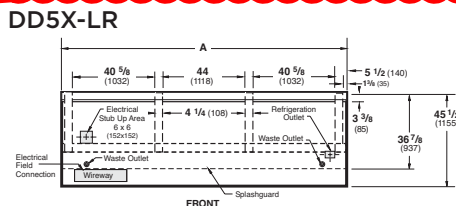
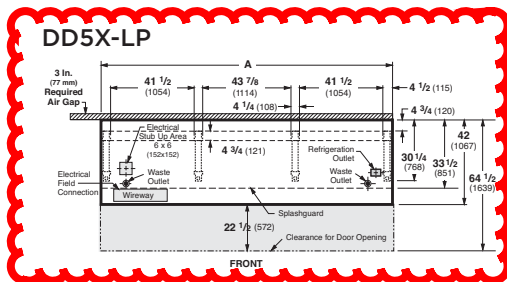
or

12 Ft 144-1/2" (3670)

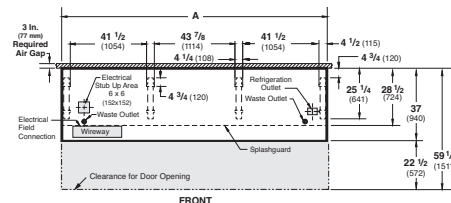
Notes:

Case-to-case electrical connections are made in front of splashguard.

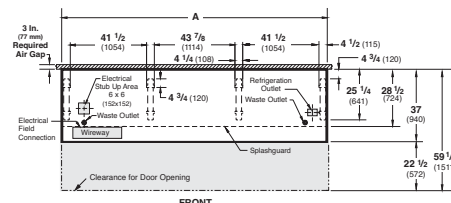
Overall case length without ends or partitions.



DD5NX-L



DD6NX-L



Note

Use Hussmann's technical data sheets to get precise dimensions for all store layout purposes.

Features and Benefits:

- EcoVision glass doors provide excellent product visibility and reduce refrigeration energy use up to 82%.
- Narrow 24" french doors preserve aisle space.
- No heat required in doors or frames.
- Narrow footprint models reduce required floor space.
- Rear sliding doors on DD5X-LR model allow easy loading from a cooler adjacent to back of case.
- Energy efficient coils standard.
- 5 year modular coil warranty.

Options Include:

- Various shelves, racks, lighting, paint and bumper colors.
- Door frames, trim and handles available in gray and black.
- Streamline or contour styling.
- Illuminated canopy signs.

NOTE: These merchandisers are designed for use in stores when temperature and humidity do not exceed 75°F and 55% R.H.

NOTE: We reserve the right to change or revise specifications and product design in connection with any feature of our products. Such changes do not entitle the buyer to corresponding changes, improvements, additions, or replacements for equipment previously sold or shipped.

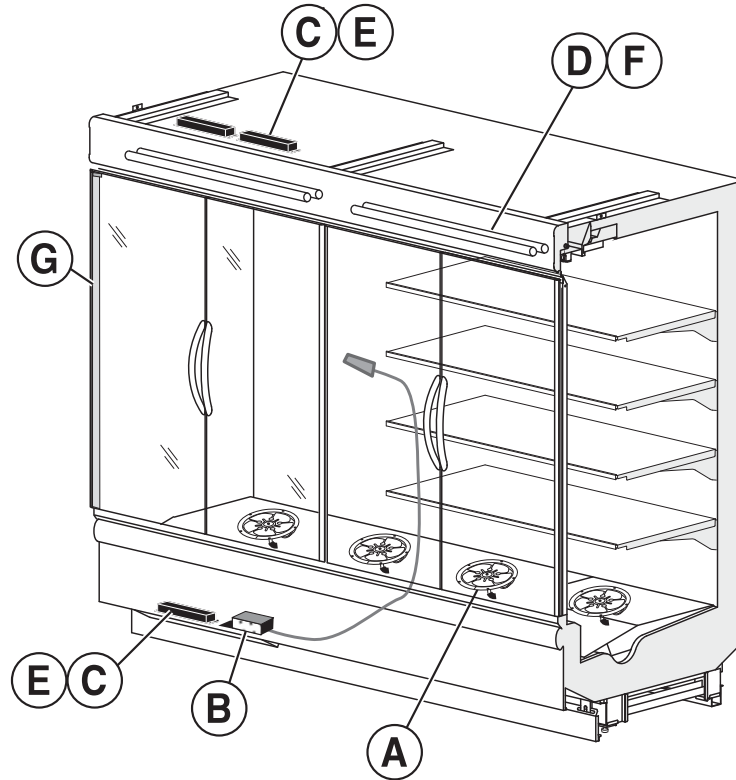
For additional resources, contact your representative or visit www.hussmann.com.

DOE 2012 Energy Efficiency Compliant Hussmann refrigerated merchandisers configured for sale for use in the United States meet or surpass the requirements of the DOE 2012 energy efficiency standards.

HUSSMANN®

Hussmann Corporation
12999 St. Charles Rock Rd.
Bridgeton, MO 63044-2483
Ph: 314.291.2000

www.hussmann.com



We reserve the right to change or revise specifications and product design in connection with any feature of our products. Such changes do not entitle the buyer to corresponding changes, improvements, additions or replacements for equipment previously sold or shipped.

Item	Part #	Description	Wiring Item #	Item	Part #	Description	Wiring Item #
FAN ASSEMBLIES				LAMPS AND BALLASTS			
4 Ft, 8 Ft & 12 Ft				<i>SHELF LIGHTING IS NOT AVAILABLE WITH ECOVISION DOORS.</i>			
A.	12W Standard Energy Efficient Fan Assembly	(1)		C.	Ballast, Electronic		(3)
	0477655	Fan Motor, Evaporator (MO.4410546)			0480130	2 lamps (BA.4481676)	
	0461805	Fan Blade (FB.4780446)			0480131	3 lamps (BA.4481654)	
					0480132	4 lamps (BA.4481677)	
				D.	Fluorescent Lamp		(4)
					<i>Replace with like fixtures</i>		
6 Ft Only				LED FIXTURES AND POWER SUPPLY			
A.	7W Standard Energy Efficient Fan Assembly	(1)		E.	0501213	Power Supply (EP.4481861)	(5)
	0477654	Fan Motor, Evaporator (MO.4410545)		F.		LED Canopy Fixture	(6)
	0142780	Fan Blade (FB.0142780)			<i>Replace with like fixtures</i>		
THERMOSTATS				G.		LED Mullion Fixture	(7)
	B.	Optional Adjustable Refrigeration Thermostat	(2)		<i>Replace with like fixtures</i>		

NOTE: For LED lighting parts contact your Hussmann service representative at 1-800-922-1919. Please have your model and serial number available. Descriptions including size and color are at WWW.HUSSMANN.COM/SERVICEANDPARTS.

Note: Revision E removes discontinued LED data. Other changes marked by bar, underline or circle.



Engineering Plan Views

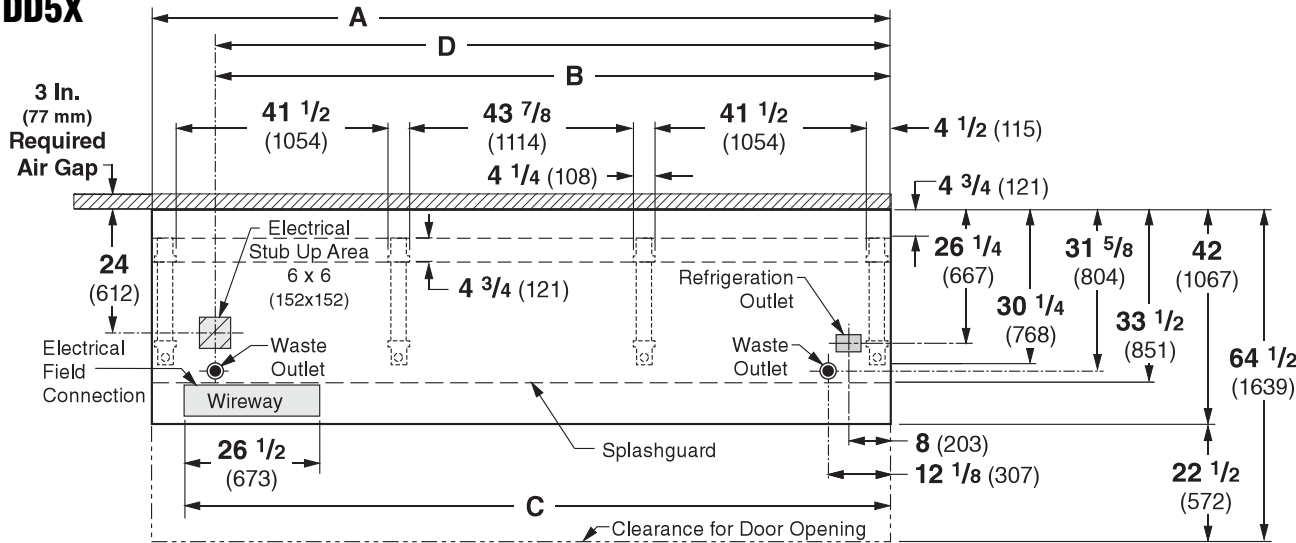
PHYSICAL DATA	
Merchandiser Drip Pipe (in.)	1 1/4
Merchandiser Liquid Line (in.)	3/8
Merchandiser Suction Line (in.)	7/8

Dairy & Delicatessen

07-2009

Dimensions shown as in. and (mm).

DD5X



NOTE: Case-to-Case Electrical Connections are made IN FRONT OF SPLASHGUARD.

FRONT

	4 ft	6 ft	8 ft	12 ft
General				
(A) Case Length <i>(without ends or partitions)</i> <i>(Each end and insulated partition adds 1 1/2 in. (38 mm) to case line up.)</i>	48 3/8 (1229)	72 3/8 (1838)	96 3/8 (2448)	144 1/2 (3670)
Maximum O/S dimension of case back to front <i>(includes bumper)</i>	42 (1064)	42 (1064)	42 (1064)	42 (1064)
Back of case to front of splashguard	33 1/2 (851)	33 1/2 (851)	33 1/2 (851)	33 1/2 (851)
Back of case to O/S edge of front leg	30 1/4 (768)	30 1/4 (768)	30 1/4 (768)	30 1/4 (768)
Distance between edges of external legs and center legs	NA	29 1/2 (750)	41 1/2 (1054)	41 1/2 (1054)
Distance between edges of center legs	NA	NA	NA	43 7/8 (1114)
Distance between front legs and splashguard	2 3/4 (70)	2 3/4 (70)	2 3/4 (70)	2 3/4 (70)
Electrical Service <i>(Electrical Field Wiring connection point)</i>				
(B) RH End of case to center of stub up area	36 1/4 (921)	60 1/4 (1530)	84 1/4 (2140)	132 3/8 (3363)
Back of case to center of stub up area	24 (612)	24 (612)	24 (612)	24 (612)
Length of electrical wireway Wireway	26 1/2 (673)	26 1/2 (673)	26 1/2 (673)	26 1/2 (673)
(C) RH End of case to LH end of wireway	42 1/8 (1070)	66 1/8 (1680)	90 1/8 (2289)	138 1/4 (3511)
Waste Outlets <i>(One each end)</i> 				
(D) RH End of case to the center of LH waste outlet	36 1/4 (921)	60 1/4 (1530)	84 1/4 (2140)	132 3/8 (3363)
RH End of case to the center of RH waste outlet	12 1/8 (307)	12 1/8 (307)	12 1/8 (307)	12 1/8 (307)
Back O/S of case to center of waste outlets	31 5/8 (804)	31 5/8 (804)	31 5/8 (804)	31 5/8 (804)
Schedule 40 PVC drip pipe	1 1/4 (32)	1 1/4 (32)	1 1/4 (32)	1 1/4 (32)
Refrigeration Outlet 				
Back of case to center of refrigeration outlet	26 1/4 (665)	26 1/4 (665)	26 1/4 (665)	26 1/4 (665)
RH end of case to center of refrigeration outlet	8 (203)	8 (203)	8 (203)	8 (203)

Multi-deck with Doors, 5 Display Levels, Low Front



Hussmann refrigerated merchandisers configured for sale for use in the United States meet or surpass the requirements of the DOE 2012 energy efficiency standards.

Excel DD5X-LP

Dairy & Delicatessen

REFRIGERATION DATA

Note: This data is based on store temperature and humidity that does not exceed 75°F and 55% R.H.

DD5X-LP	DAIRY DELI		
	UNLIT	LIT*	PEG**
Discharge Air °F	39	37	37
Evaporator °F	34	32	32
Unit Sizing °F	32	30	30
DD5X-LP	FRESH MEAT		
	UNLIT	LIT‡	
Discharge Air °F	35	33	
Evaporator °F	30	28	
Unit Sizing °F	28	26	

* Lit data is for canopy and mullion lighting.
Hussmann recommends against using lit shelves with EcoVision Doors.

** Hussmann Peg Shelves (Deli only)

Btu/hr/ft ‡	UNLIT		
	UNLIT	PEG*	MEAT
DD5X-LP	261	292	300
PARALLEL	261	292	300
CONVENTIONAL	269	301	309

‡ Add 10 Btu/hr/ft for lit.

DEFROST DATA

Frequency Hr	24
Defrost Water (lb/ft/day)	1.0
(± 15% based on case configuration and product loading).	

OFFTIME	DD5X-LP
Time (minutes)	60

ELECTRIC OR GAS Not Recommended

CONVENTIONAL CONTROLS

Low Pressure Backup Control	
C/ICO***	DD5X-LP
	35°F / 25°F

Indoor Unit Only, Pressure Defrost

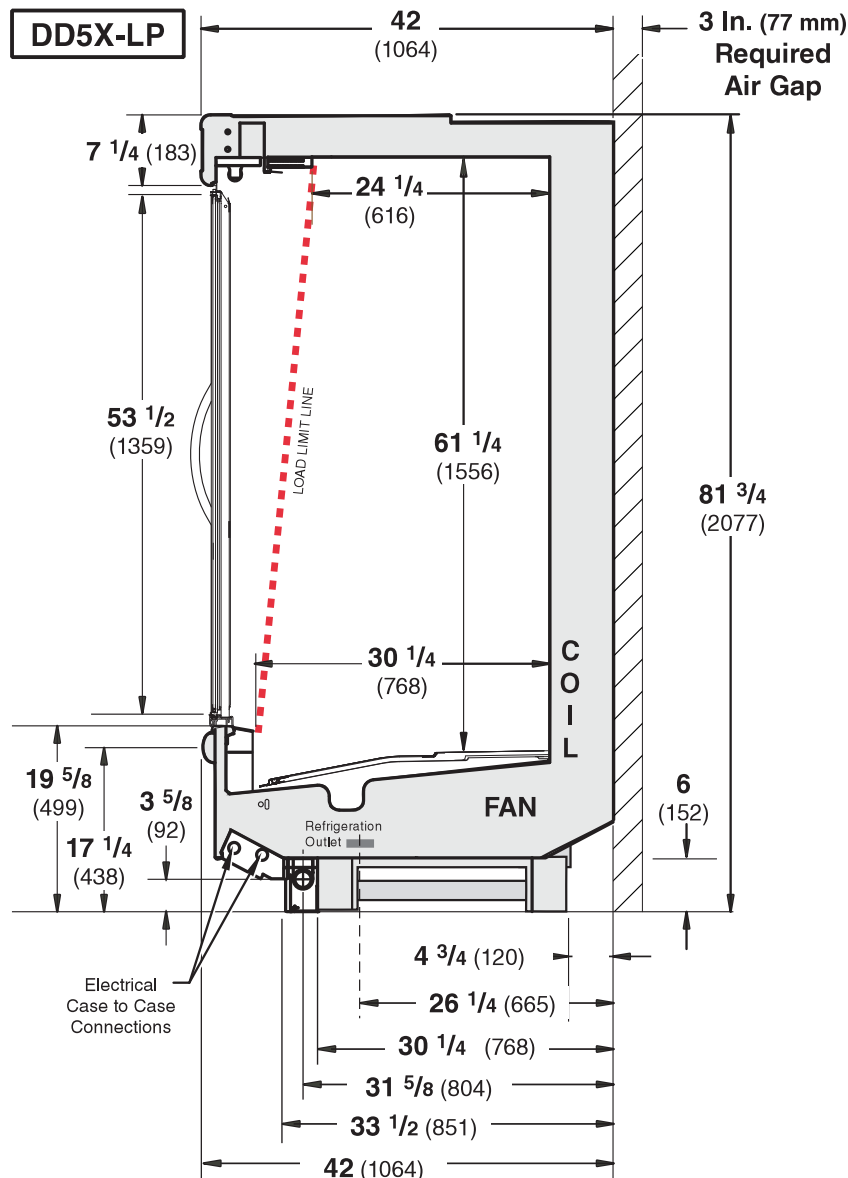
Termination*** 40°F

***Use a Temperature Pressure Chart to determine PSIG conversions.

Estimated Charge****	DD5X-LP		
4 ft	1.9 lb	30 oz	0.9 kg
6 ft	2.8 lb	45 oz	1.3 kg
8 ft	3.7 lb	59 oz	1.7 kg
12 ft	5.1 lb	82 oz	2.3 kg

****This is an average for all refrigerant types.
Actual refrigerant charge may vary by approximately half a pound (8 oz/0.2 kg).

Dimensions shown as in. and (mm).



NSF Certification

This merchandiser model is manufactured to meet NSF/ANSI (National Sanitation Foundation) Standard #7 requirements for construction, materials & cleanability.

<p>Excel DD5X-LP Dairy & Delicatessen</p>
--

Electrical Data

	4 ft	6 ft	8 ft	12 ft				
Number of Fans – 12W	1	—	2	3				
Number of Fans – 7W	—	2	—	—				
	Amperes				Watts			
	4 ft	6 ft	8 ft	12 ft	4 ft	6 ft	8 ft	12 ft
Evaporator Fans								
120V 50/60Hz Standard Energy Efficient	0.30	0.38	0.60	0.90	18	28	36	54
230V 50/60Hz Standard Energy Efficient	0.15	0.20	0.30	0.45	18	28	36	54
230V 60Hz Export	0.33	0.50	0.66	0.99	50	78	100	150
230V 50Hz Export	0.38	0.56	0.76	1.14	57	84	114	171
Minimum Circuit Ampacity								
120V 50/60Hz Standard Energy Efficient	0.50	0.58	0.80	1.10				
230V 50/60Hz Standard Energy Efficient	0.35	0.40	0.50	0.65				
230V 60Hz Export	0.53	0.70	0.86	1.19				
230V 50Hz Export	0.58	0.76	0.96	1.34				
Maximum Over Current Protection 120V								
Maximum Over Current Protection 120V	20	20	20	20				
Maximum Over Current Protection 230V								
Maximum Over Current Protection 230V	15	15	15	15				
Standard Lighting (T-8 fluorescent)								
1 Row Canopy	0.26	0.51	0.51	0.77	30	59	59	85
ONLY LIGHTING CONFIGURATIONS THAT ARE COMPLIANT WITH THE U.S. DEPT. OF ENERGY (DOE) 2012 REGULATION ARE AVAILABLE FOR SALE FOR USE IN THE U.S.A.								
Optional Lighting (T-8 fluorescent)								
2 Row Canopy	0.51	1.02	1.02	1.54	59	118	118	170
LED Ecoshine II Canopy								
1 Row Ecoshine II	0.26	0.37	0.51	0.77	30.8	44.2	61.6	92.4
1 Row Ecoshine II Plus	0.23	0.35	0.46	0.70	27.8	41.4	55.6	83.4
1 Row Ecoshine II Plus HO	0.28	0.42	0.56	0.84	34.0	50.5	67.2	100.8
Rail								
None								
Shelf								
None								
Mullion								
Ecoshine II 51-in.	0.14	0.26	0.26	0.37	17.0	30.7	30.7	44.4
Ecoshine II Plus 51-in.	0.29	0.54	0.54	0.79	35.0	65.1	65.1	95.2

120V Lighting Circuit Total = Standard Lighting + Total Optional Lighting
 120V EcoShine LED Lighting Circuit Total = Total Canopy Lighting + Optional Mullion Lighting
 230V Lighting Circuit Total = Multiply 120V Lighting Circuit Total by 0.52

Excel DD5X-LP
Dairy & Delicatessen

Product Data

<i>Recommended Usable Cube</i> ¹ (Cu Ft/Ft)	9.39 ft ³ /ft (0.87 m ³ /m)
<i>AHRI Total Display Area</i> ² (Sq Ft/Ft)	4.46 ft ² /ft (1.36 m ² /m)
<i>Shelf Area</i> ³ (Sq Ft/Ft)	9.89 ft ² /ft (3.02 m ² /m)

- ¹ AHRI Refrigerated Volume less shelving and other unusable space: Refrigerated Volume/Unit of Length, ft³/ft [m³/m]
- ² Computed using AHRI 1200 standard methodology: Total Display Area, ft² [m²]/Unit of Length, ft [m]
- ³ Shelf surface area is composed of bottom deck plus standard shelf complement, as shown in the Hussmann *Product Reference Guide*. The standard shelf complement for this model is (4) rows of 22-inch shelves.

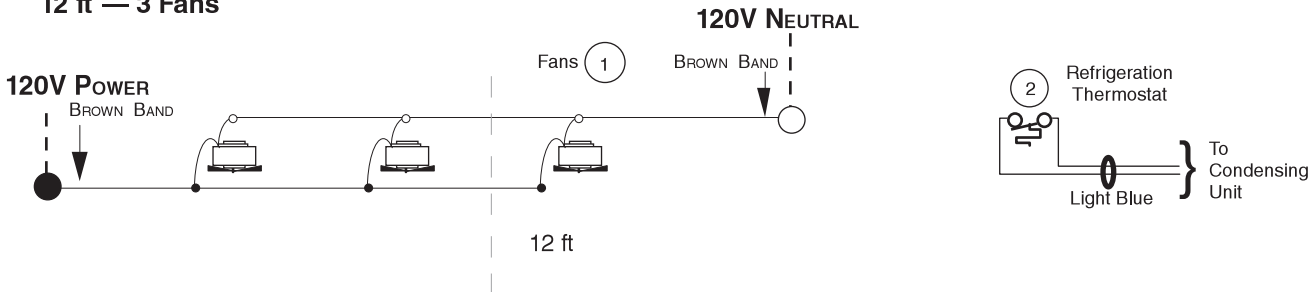
ESTIMATED SHIPPING WEIGHT ⁴					
Case	<i>4 ft</i>	<i>6 ft</i>	<i>8 ft</i>	<i>12 ft</i>	Solid End
lb (kg)	860 (390)	1070 (485)	1310 (594)	1560 (708)	<i>(each)</i> 100 (45)

⁴ Actual weights will vary according to optional kits included.

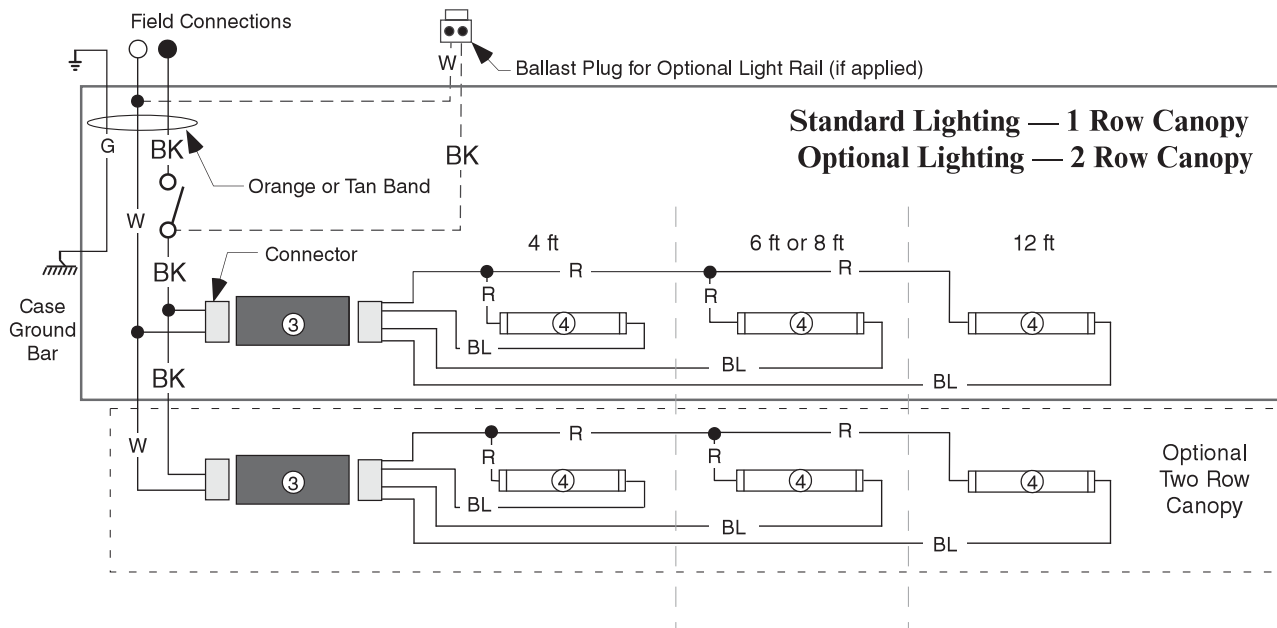
**Fan Wiring
Offtime Defrost**

1, 2 & 3 Fans

- 4 ft — 1 Fan
- 6 ft — 2 Fans
- 8 ft — 2 Fans
- 12 ft — 3 Fans



Fluorescent Canopy Light Circuits



WARNING

All components must have mechanical ground, and the merchandiser must be grounded.

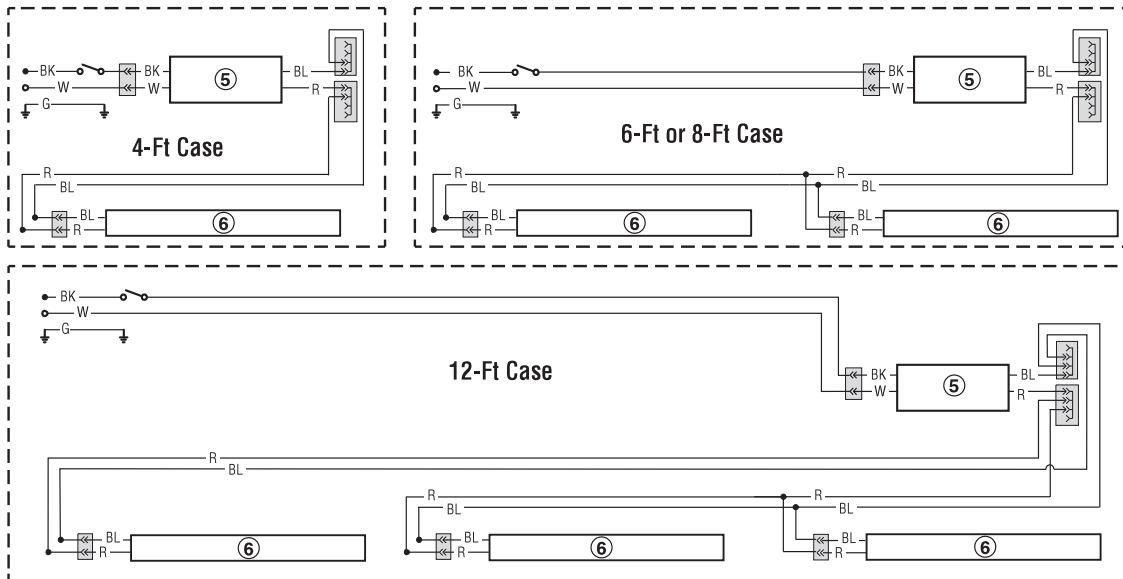
CIRCLED NUMBERS = PARTS LIST ITEM NUMBERS

R = Red Y = Yellow G = Green BL = Blue BK = Black W = White

● = 120V POWER ○ = 120V NEUTRAL ⊥ = FIELD GROUND ≡ = CASE GROUND

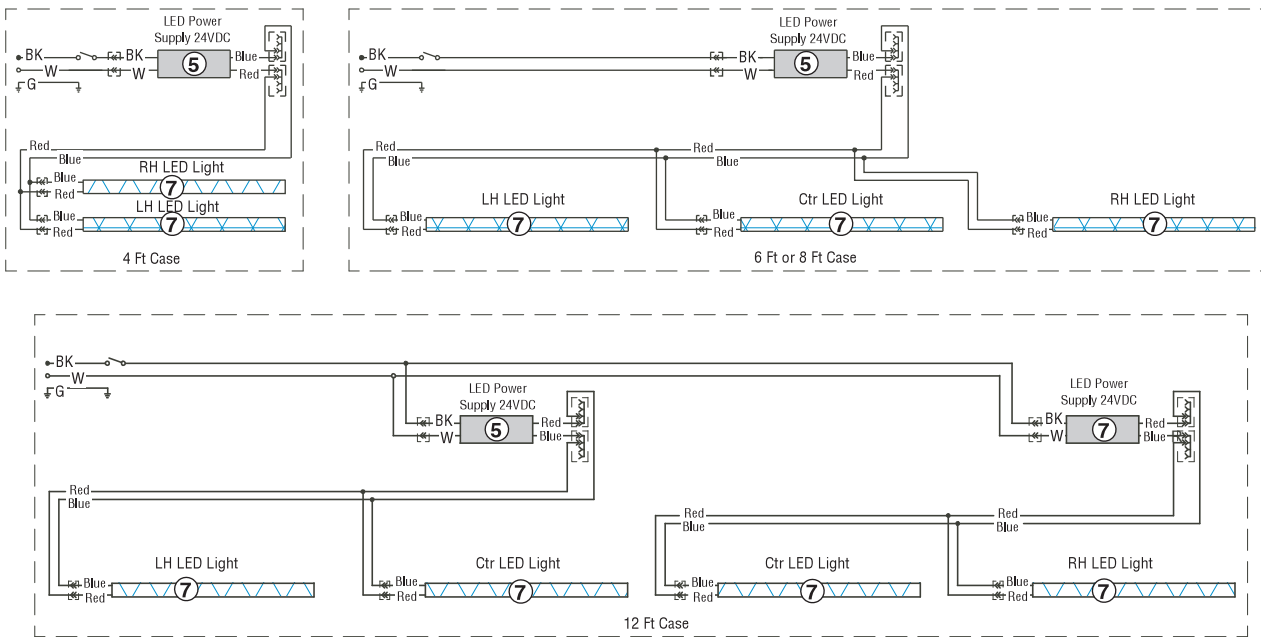
**Optional Canopy Lighting
LED Fixtures**

EcoShine II LED Canopy Lighting — 1 Row



**Optional Mullion Lighting
LED Fixtures**

LED Mullion Lighting



WARNING

All components must have mechanical ground, and the merchandiser must be grounded.

CIRCLED NUMBERS = PARTS LIST ITEM NUMBERS

R = Red Y = Yellow G = Green BL = Blue BK = Black W = White

● = 120V POWER ○ = 120V NEUTRAL ⚡ = FIELD GROUND $\overline{\overline{\overline{\quad}}}$ = CASE GROUND