

**HUSSMANN®**

---



Model shown with options.

---

# SMB

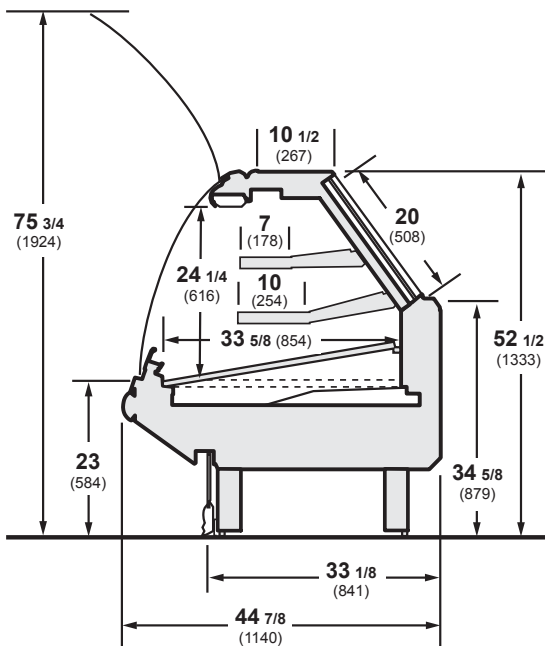
Excel Service Merchandiser with  
Curved Glass and Blower Coil for Meat and Deli

- NSF Certified

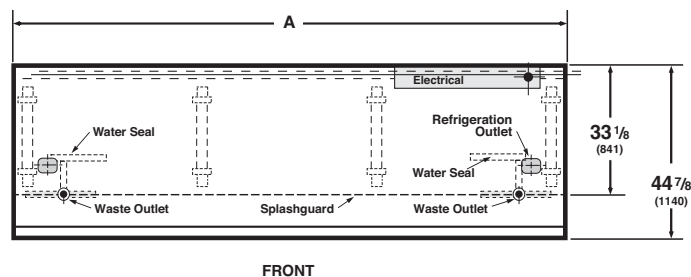
## Husmann Excel Service Merchandiser with Curved Glass and Blower Coil for Meat and Deli Applications

### SMB - Single Pane Curved Glass Case with Blower Coil

Available in 8' and 12' lengths. Contact your sales rep for information on possible availability of additional case lengths.



### Plan View



Dimensions	8 FT	12 FT
A	96 3/8 (2448)	144 1/2 (3670)

#### Notes:

Overall case length without ends or partitions. Contact your sales representative for information on possible availability of additional case lengths.

#### Note

Use Husmann's technical data sheets to get precise dimensions for all store layout purposes.

### Advanced Design.

The SMB and related SM models incorporate advanced features and benefits, including modular coils, superior energy efficiency, modular case design, durable bumper, factory pre-adjusted expansion valves, and seamless polystyrene "bathtub" bottoms for quick, easy cleaning.

### Reduced Refrigerant, Fewer Leaks.

Patented Husmann modular coils require 50% to 60% less refrigerant. Also, all return bend solder joints have been eliminated, which greatly reduces the possibility of refrigerant leaks.

### Merchandising with Style.

One look tells the story. Sleeker, cleaner exterior to enhance product display. Attractive molded end design. Excellent lighting and product visibility for "high impact" merchandising that sells. Up to two lighted mezzanine shelves can be added to increase merchandising capacity. 30°, 45° and 90° inside and outside wedges available.

### Easy to Work.

Front glass tilts up for easy stocking and cleaning. 10 1/2" stainless flat non-movable top is standard. A large 20" rear door opening has an increased angle to improve reach and ergonomics. Options include mezzanine shelves, display racks, scale stands, thermometers and wrapping boards.

### NSF Certified.

The SMB has been NSF Certified to ANSI/NSF standard 7.

**DOE 2017 Energy Efficiency Compliant** Husmann refrigerated merchandisers configured for sale for use in the United States meet or surpass the requirements of the DOE 2017 energy efficiency standards.

NOTE: These merchandisers are designed for use in stores when temperature and humidity do not exceed 75°F and 55% R.H.

NOTE: We reserve the right to change or revise specifications and product design in connection with any feature of our products. Such changes do not entitle the buyer to corresponding changes, improvements, additions, or replacements for equipment previously sold or shipped.

For additional resources, contact your representative or visit [www.husmann.com](http://www.husmann.com).

# HUSMANN®

**Husmann Corporation**  
12999 St. Charles Rock Rd.  
Bridgeton, MO 63044-2483  
Ph: 314.291.2000

[www.husmann.com](http://www.husmann.com)

**HUSSMANN®**  
**Excel**

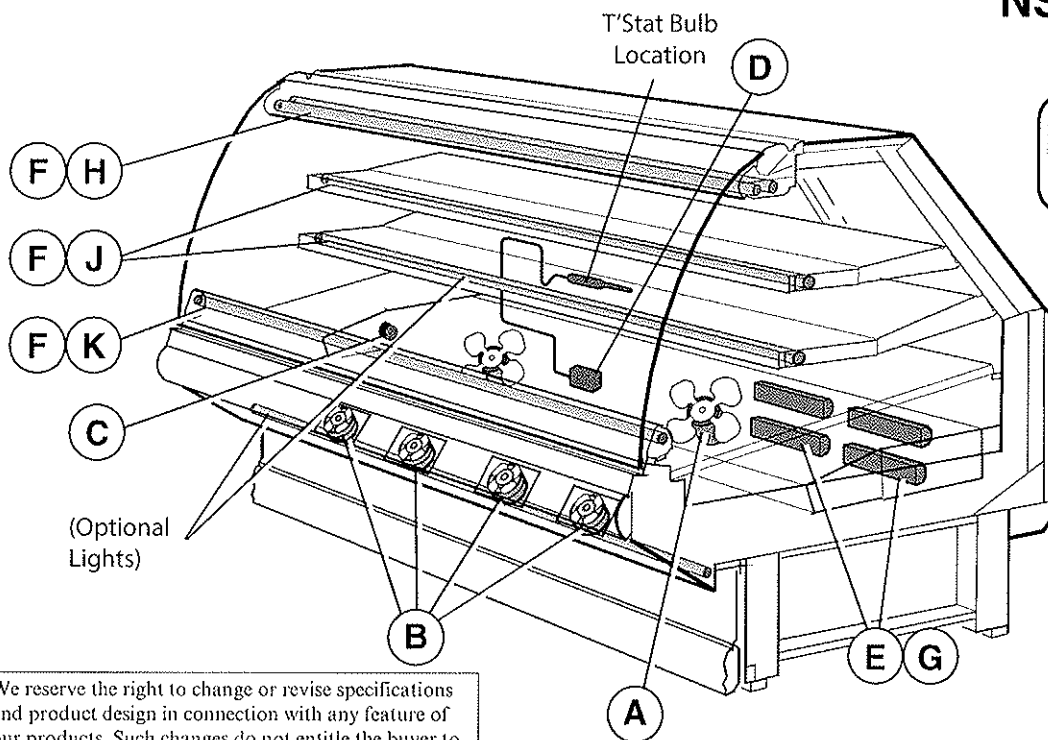


**SMB**

Technical Data Sheet  
P/N 0522397\_E

NSF® Certified  
April 2017

**DOE 2017**  
Energy Efficiency  
Compliant



We reserve the right to change or revise specifications and product design in connection with any feature of our products. Such changes do not entitle the buyer to corresponding changes, improvements, additions or replacements for equipment previously sold or shipped.

Item	Part #	Description	Wiring Item #	Item	Part #	Description	Wiring Item #
<b>FAN ASSEMBLIES AND THERMOSTATS</b>				E.	Electronic Ballast (CONTINUED)		(5)
A.	0392457	Fan Motor, Evaporator - 120V	(1)		0440215	<b>2 lamps</b> 230V 50-60 Hz	
	0409512	Fan Blade - 120V ( embossing toward motor			0428652	<b>3 lamps</b> 230V 50-60 Hz	
	0436517	Fan Motor, Evaporator - 230V			0385104	Ballast Transformer	
	0409513	Fan Blade - 230V ( embossing toward motor		F.		Fluorescent Lamp	(6)
B.	0522287	Fan Motor, Ambient - 120V	(2)			<i>Replace with like fixtures</i>	
	0404552	Fan Motor, Ambient - 230V		<b>LED FIXTURES AND POWER SUPPLY</b>			
C.	0382028	Standard Non-adjustable Defrost Thermostat	(3)	G.	0501213	Power Supply	(7)
D.	0137880	Optional Adjustable Refrigeration Thermostat	(4)	H.		LED Canopy Fixture	(8)
<b>LAMPS AND BALLASTS</b>						<i>Replace with like fixtures</i>	
E.	Electronic Ballast		(5)	J.		LED Shelf Fixture	(9)
	0355716	<b>2 lamps</b> 120V				<i>Replace with like fixtures</i>	
	0355398	<b>3 lamps</b> 120V		K.		LED Rail Fixture	(10)
						<i>Replace with like fixtures</i>	

Data sheet-Excel-SMB

Note: Revision E: April 2017. Updated LED energy values. Other changes marked with a bar, circle or underline.

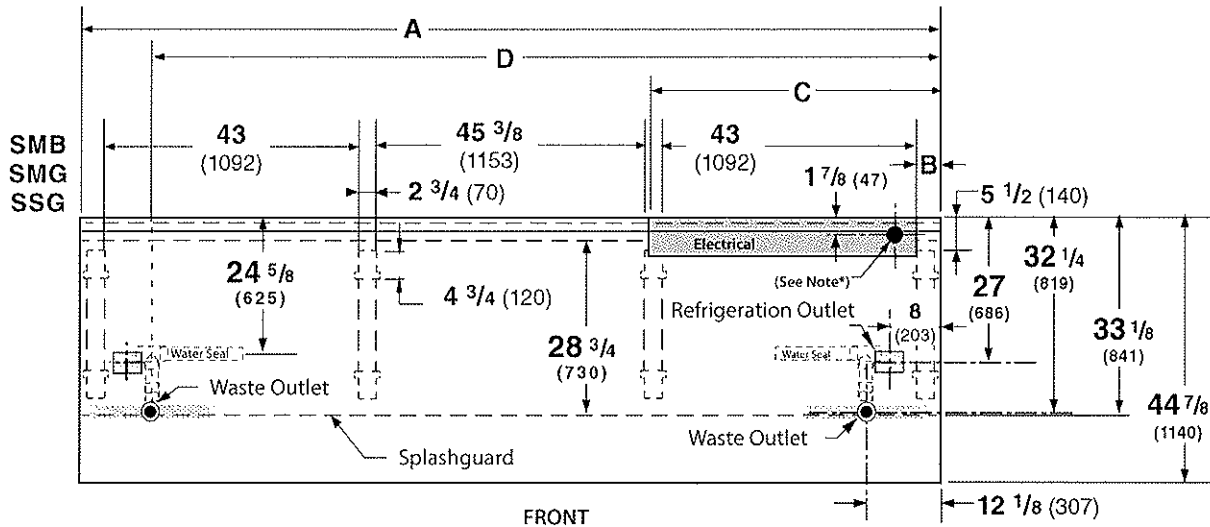
# Engineering Plan Views

## Meat & Delicatessen

05-2011

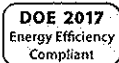
Dimensions shown as in. and (mm).

PHYSICAL DATA	
Merchandiser Drip Pipe (in.)	1 1/2
Merchandiser Liquid Line (in.)	3/8
Merchandiser Suction Line (in.)	5/8



	4 ft	6 ft	8 ft	12 ft
<b>General</b>				
<b>(A)</b> Case Length	48 1/4 (1226)	72 1/4 (1835)	96 3/8 (2448)	144 1/2 (3670)
Maximum O/S dimension of case back to front <i>(Note: Includes bumper)</i>	44 7/8 (1140)	44 7/8 (1140)	44 7/8 (1140)	44 7/8 (1140)
Back of case to front of splashguard	33 1/8 (841)	33 1/8 (841)	33 1/8 (841)	33 1/8 (841)
Center of rear legs to center of front legs	23 1/2 (598)	23 1/2 (598)	23 1/2 (598)	23 1/2 (598)
Each End and Partition adds 1 1/2 in. (38 mm) to the length of the lineup.				
<b>Electrical Service</b>				
<b>(B)</b> RH end of case to Electrical raceway right edge	3 7/8 (98)	3 7/8 (98)	3 7/8 (98)	3 7/8 (98)
<b>(C)</b> RH end of case to Electrical raceway left edge	41 3/8 (1051)	32 3/4 (831)	40 1/8 (1019)	44 1/2 (1131)
Back of case to center of knockout	1 7/8 (47)	1 7/8 (47)	1 7/8 (47)	1 7/8 (47)
* Electrical Field Wiring Connection Point				
<b>Waste Outlet</b>				
<b>(D)</b> RH End of case to the center of LH waste outlet	36 1/4 (921)	60 1/4 (1530)	84 3/8 (2143)	132 1/2 (3366)
RH End of case to the center of RH waste outlet	12 1/8 (307)	12 1/8 (307)	12 1/8 (307)	12 1/8 (307)
Back O/S of case to center of waste outlets	32 1/4 (819)	32 1/4 (819)	32 1/4 (819)	32 1/4 (819)
Schedule 40 PVC drip pipe	1 1/4 (32)	1 1/4 (32)	1 1/4 (32)	1 1/4 (32)
** Field installed water seal outlets, tees, and connectors are shipped with the merchandiser.				
<b>Refrigeration Outlet</b>				
Back of case to center of refrigeration outlet	27 (686)	27 (686)	27 (686)	27 (686)
RH end of case to center of refrigeration outlet	8 (203)	8 (203)	8 (203)	8 (203)
Outside diameter of the liquid line	3/8 (9.5)	3/8 (9.5)	3/8 (9.5)	3/8 (9.5)
Outside diameter of the suction line	5/8 (16)	5/8 (16)	5/8 (16)	5/8 (16)

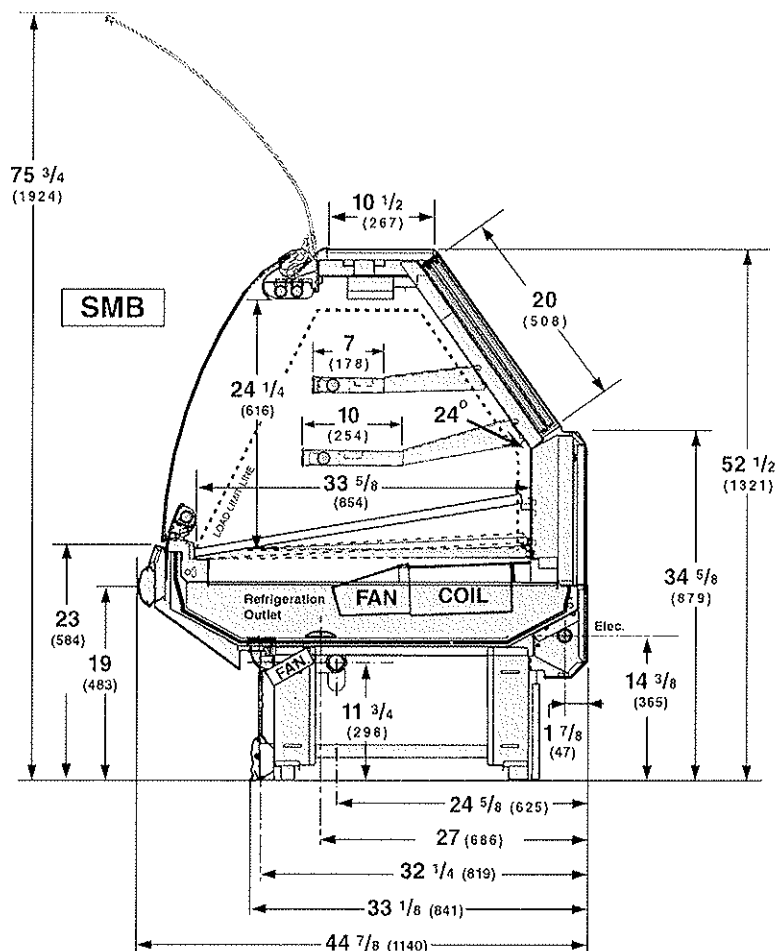
Double Curved Hinged Glass, 3 Display Level



Husmann refrigerated merchandisers configured for sale for use in the United States meet or surpass the requirements of the DOE 2017 energy efficiency standards.



Dimensions shown as in. and (mm).



### PHYSICAL DATA

#### Estimated Charge (lb)\*\*

4 ft	0.75 lb	12 oz	0.35 kg
6 ft	1.0 lb	16 oz	0.5 kg
8 ft	1.5 lb	24 oz	0.7 kg
12 ft	2.0 lb	32 oz	0.9 kg

\*\*This is an average for all refrigerant types. Actual refrigerant charge may vary by approximately 0.5 lb (8 oz / 0.2 kg).

#### Length Added to Lineup by:

Each Plastic End w/ Bumper (in.)	3 1/2
Each End/Partition (in.)	1 1/2

#### NSF Certification

This merchandiser model is manufactured to meet NSF/ANSI (National Sanitation Foundation) Standard #7 requirements for construction, materials & cleanability.

### REFRIGERATION DATA

Note: This data is based on store temperature and humidity that does not exceed 75°F and 55% R.H.

	SMBs
Discharge Air (°F)	24
Evaporator (°F)	18
Unit Sizing (°F)	16

§ Average evaporator temperature shown. Use dew point for high glide refrigerants for unit sizing. Care should be taken to use the dew point in PT tables for measuring and adjusting superheat. Adjust evaporator pressure as needed to maintain discharge air temperature shown.

Butlrft	SMB
Parallel	420
Conventional	450

### DEFROST DATA

	SMB
Frequency (hr)	12
Defrost Water (lb/ft/day)	0.20

(± 15% based on case configuration and product loading).

OFFTIME	SMB
Temp Term (°F)	43°
Failsafe (minutes)	90

*ELECTRIC OR GAS* Not Recommended

#### Standard Defrost Thermostat

Close on rise: close 43°F — open 33°F

### CONVENTIONAL CONTROLS

#### Low Pressure Backup Control

	SMB
CHCO (Temp °F)*	11°F / 1°F
Indoor Unit Only, Pressure Defrost Termination (Temp °F)*	

Not Recommended

\*Use a Temperature Pressure Chart to determine PSIG conversions.

**Excel SMB  
Meat & Delicatessen**

**Electrical Data**

<b>Number of Fans</b>	<b>4 ft</b>	<b>6 ft</b>	<b>8 ft</b>	<b>12 ft</b>					
Refrigeration (120V 60Hz) – 4W	1	2	2	3					
Ambient Air Wipe – 4.5W	2	4	4	6					
<b>Export Refrigeration (230V 50Hz) – 4W</b>	<b>1</b>	<b>2</b>	<b>2</b>	<b>3</b>					
Export Ambient Air Wipe – 15W	2	4	4	6					
		<b>Amperes</b>					<b>Watts</b>		
<b>Merchandiser</b>	<b>4 ft</b>	<b>6 ft</b>	<b>8 ft</b>	<b>12 ft</b>	<b>4 ft</b>	<b>6 ft</b>	<b>8 ft</b>	<b>12 ft</b>	
<b>Evaporator Fans</b>									
Standard (120V 60Hz)	0.31	0.62	0.62	0.93	24	48	48	72	
Export: 230V 50Hz	0.18	0.36	0.36	0.54	27	54	54	81	
<b>Ambient Air Wipe Fans</b>									
Standard High Efficiency (120V 60Hz)	0.2	0.4	0.4	0.6	9	18	18	27	
Export: 230V 50Hz	0.3	0.6	0.6	0.9	50	100	100	150	
<b>Constant On Anti-sweat Heaters</b>	<b>NA</b>	<b>NA</b>	<b>NA</b>	<b>NA</b>	<b>NA</b>	<b>NA</b>	<b>NA</b>	<b>NA</b>	
<b>Cycling Anti-sweat Heaters</b>	<b>NA</b>	<b>NA</b>	<b>NA</b>	<b>NA</b>	<b>NA</b>	<b>NA</b>	<b>NA</b>	<b>NA</b>	
<b>Minimum Circuit Ampacity</b>									
With Standard Fans (120V 60Hz)	0.64	1.28	1.28	1.91					
With Export Fans (230V 50Hz)	0.6	1.2	1.2	1.83					
<b>Maximum Over Current Protection 120V</b>	<b>20</b>	<b>20</b>	<b>20</b>	<b>20</b>					
<b>Electric Defrost Heaters (208V)</b>	<b>NA</b>	<b>NA</b>	<b>NA</b>	<b>NA</b>	<b>NA</b>	<b>NA</b>	<b>NA</b>	<b>NA</b>	
<b>Gas Defrost Heaters (208V)</b>	<b>NA</b>	<b>NA</b>	<b>NA</b>	<b>NA</b>	<b>NA</b>	<b>NA</b>	<b>NA</b>	<b>NA</b>	

ONLY LIGHTING CONFIGURATIONS THAT ARE COMPLIANT WITH THE U.S. DEPT. OF ENERGY (DOE) 2017 REGULATION ARE AVAILABLE FOR SALE FOR USE IN THE U.S.A.

<b>Standard Lighting (T8 Fluorescent)</b>	<b>4 ft</b>	<b>6 ft</b>	<b>8 ft</b>	<b>12 ft</b>	<b>4 ft</b>	<b>6 ft</b>	<b>8 ft</b>	<b>12 ft</b>
2 Row Canopy	0.49	0.80	0.98	1.42	58	92	116	170
1 Row Rail	0.26	0.40	0.49	0.71	30	46	59	85
<b>Optional Lighting (T8 Fluorescent)</b>								
1 Row Ledge	0.26	0.40	0.49	0.71	30	46	59	85
2 Row Shelves	0.49	0.80	0.98	1.42	58	92	116	170
<b>Ecoshine II</b>								
Canopy 2 Row Front	0.16	0.23	0.33	0.49	19.8	28.2	39.5	59.3
Canopy 2 Row Front HO	0.28	0.39	0.56	0.84	33.4	46.4	66.8	100.2
1 Row Rail	0.08	0.12	0.16	0.25	9.9	14.1	19.8	29.7
1 Row of Shelves	0.08	0.12	0.16	0.25	9.9	14.1	19.8	29.7
2 Row of Shelves	0.16	0.23	0.33	0.49	19.8	28.2	39.5	59.3

115V Lighting Circuit Total = Standard Lighting + Total Optional Lighting + Optional Shelf Lighting

120V LED Lighting Circuit Total = Canopy Lighting + Shelf Lighting + Rail Lighting

230V Lighting Circuit Total = Multiply 115V Lighting Circuit Total by 0.52

Please note: some combinations of fluorescent lights on this case model may not be compliant with DOE 2017 and may not be available to order in the US and Canada. More lighting options are available with LED lights. The Hussmann Product Configurator will not allow lighting options that do not comply with the DOE 2017 standards.



**Product Data**

<i>Recommended Usable Cube</i> <sup>1</sup> (Cu Ft/Ft)	2.61 ft <sup>3</sup> /ft (0.24 m <sup>3</sup> /m)
<i>AHRI Total Display Area</i> <sup>2</sup> (Sq Ft/Ft)	3.34 ft <sup>2</sup> /ft (1.02 m <sup>2</sup> /m)
<i>Shelf Area</i> <sup>3</sup> (Sq Ft/Ft)	4.22 ft <sup>2</sup> /ft (1.29 m <sup>2</sup> /m)

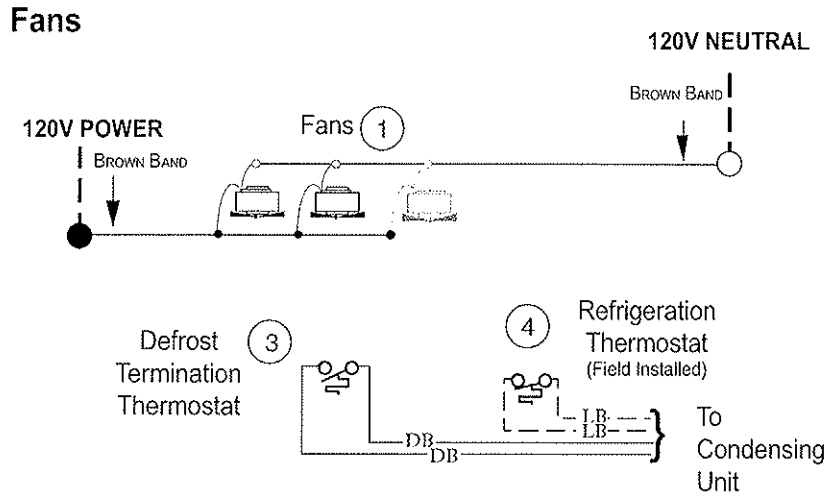
- <sup>1</sup> AHRI Refrigerated Volume less shelving and other unusable space: Refrigerated Volume/Unit of Length, ft<sup>3</sup>/ft [m<sup>3</sup>/m]
- <sup>2</sup> Computed using AHRI 1200 standard methodology: Total Display Area, ft<sup>2</sup> [m<sup>2</sup>]/Unit of Length, ft [m]
- <sup>3</sup> Shelf surface area is composed of bottom deck plus standard shelf complement, as shown in the Hussmann *Product Reference Guide*. The standard shelf complement for this model is one 7-inch shelf and one 10-inch shelf.

<b>ESTIMATED SHIPPING WEIGHT <sup>4</sup></b>						
<b>Case</b>					<b>Solid End</b>	<b>Glass / Plastic End</b>
	<i>4 ft</i>	<i>6 ft</i>	<i>8 ft</i>	<i>12 ft</i>	<i>(each)</i>	<i>(each)</i>
<b>lb (kg)</b>	700 (318)	800 (363)	900 (408)	1300 (590)	70 (32)	100 (45)

<sup>4</sup> Actual weights will vary according to optional kits included.

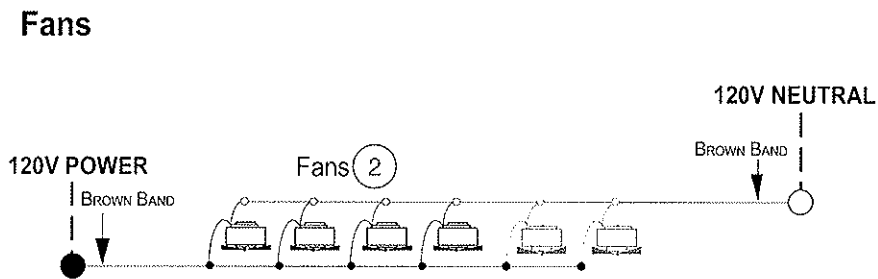
**Fan Wiring  
Offtime Defrost**

- 4 ft case has 1 Fan
- 6 ft case has 2 Fans
- 8 ft case has 2 fans
- 12 ft case has 3 Fans



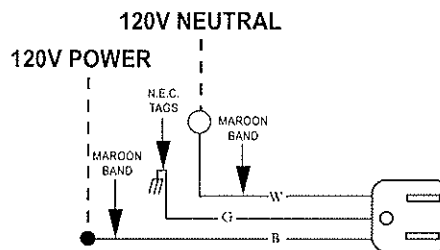
**Ambient Fan  
Wiring  
Glass Air Wipe**

- 4 ft case has 2 Fans
- 6 ft case has 3 Fans
- 8 ft case has 4 fans
- 12 ft case has 6 Fans



**Receptacles**

**Electric Service Receptacle**



**WARNING**

All components must have mechanical ground, and the merchandiser must be grounded.

Circled numbers = Parts List Item Numbers

Grayed components in 12 foot models only.

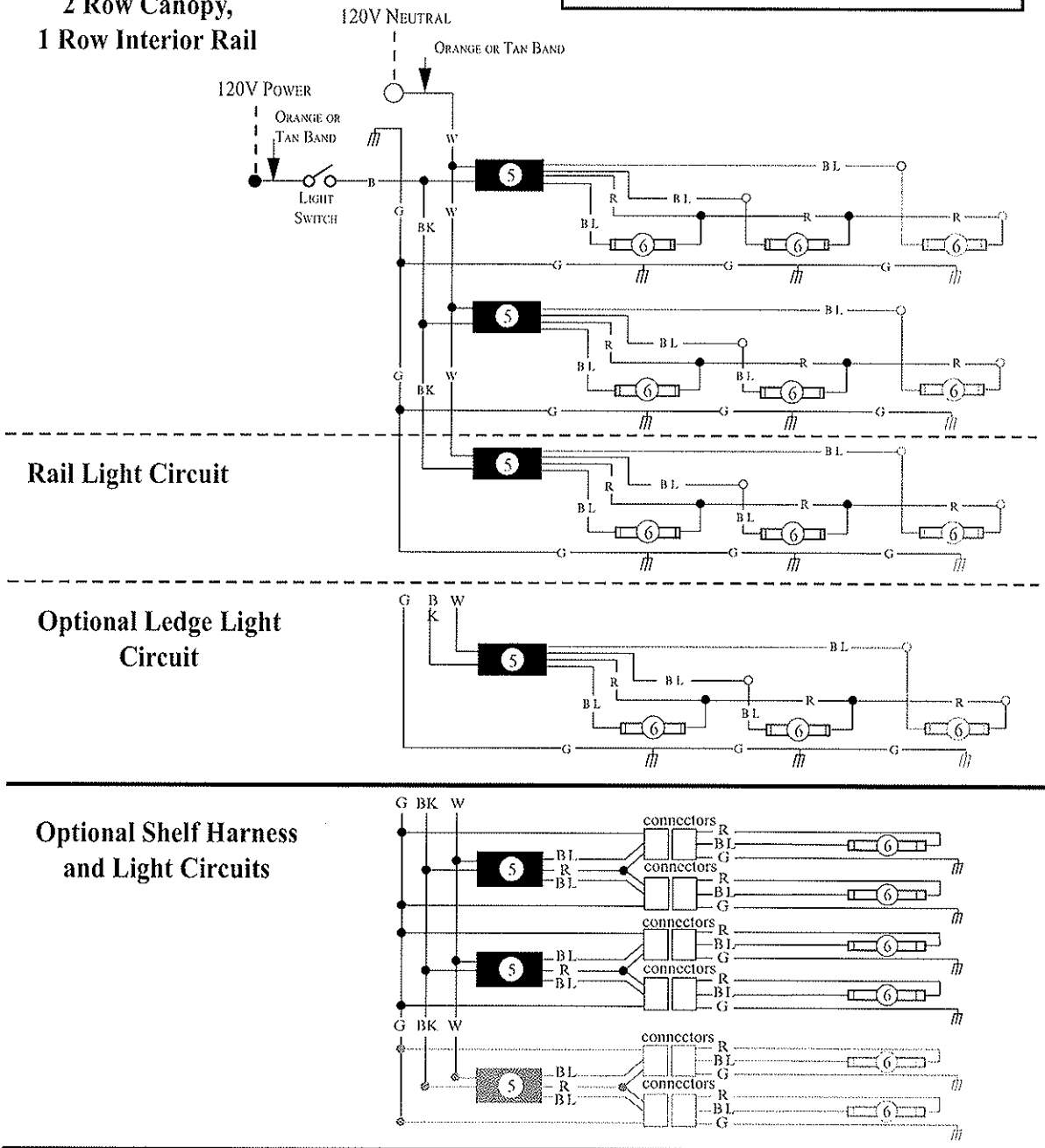
R = Red G = Green BL = Blue LB = Light Blue DB = Dark Blue BK = Black

● = 120V POWER ○ = 120V NEUTRAL ⊥ = FIELD GROUND ≡ = CASE GROUND



Standard Lighting  
2 Row Canopy,  
1 Row Interior Rail

**Fluorescent Light Circuits**



Rail Light Circuit

Optional Ledge Light Circuit

Optional Shelf Harness and Light Circuits

**WARNING**

All components must have mechanical ground, and the merchandiser must be grounded.

Circled numbers = Parts List Item Numbers

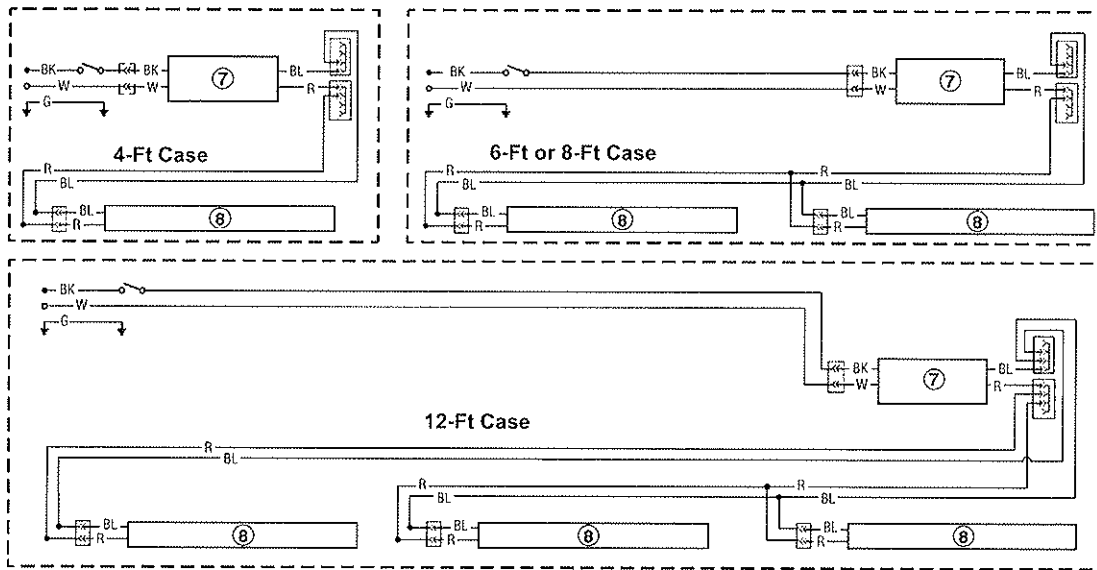
Grayed components in 12 foot models only.

R = Red    G = Green    BL = Blue    BK = Black    W = White

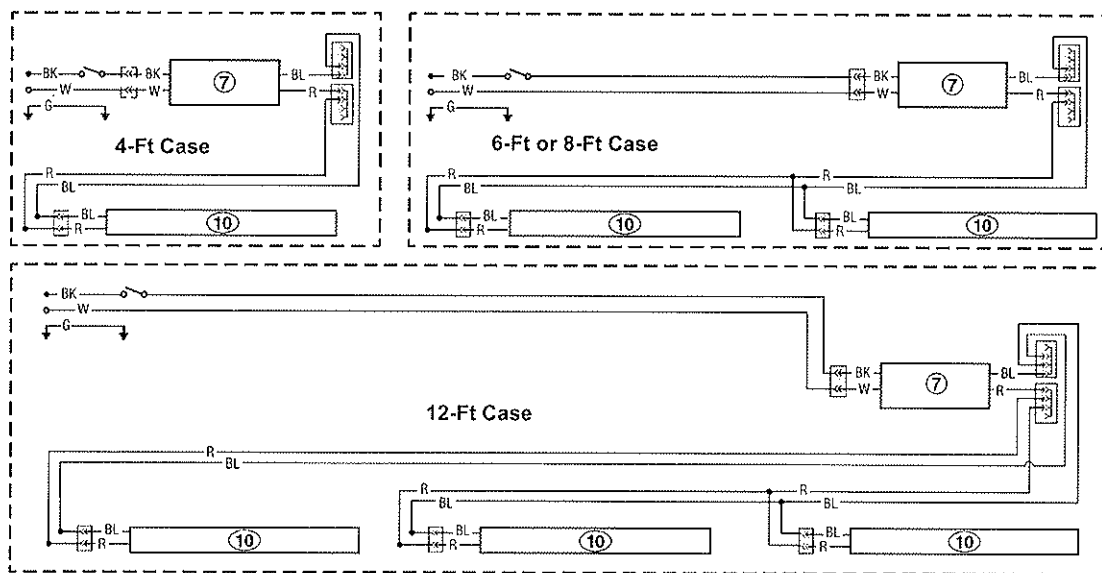
● = 120V POWER    ○ = 120V NEUTRAL    ≡ = FIELD GROUND    ≡ = CASE GROUND

**Optional LED Lighting**

**EcoShine II LED Canopy Lighting - 1 Row**



**EcoShine II LED Rail Lighting - 1 Row**



**WARNING**

All components must have mechanical ground, and the merchandiser must be grounded.

Circled numbers = Parts List Item Numbers

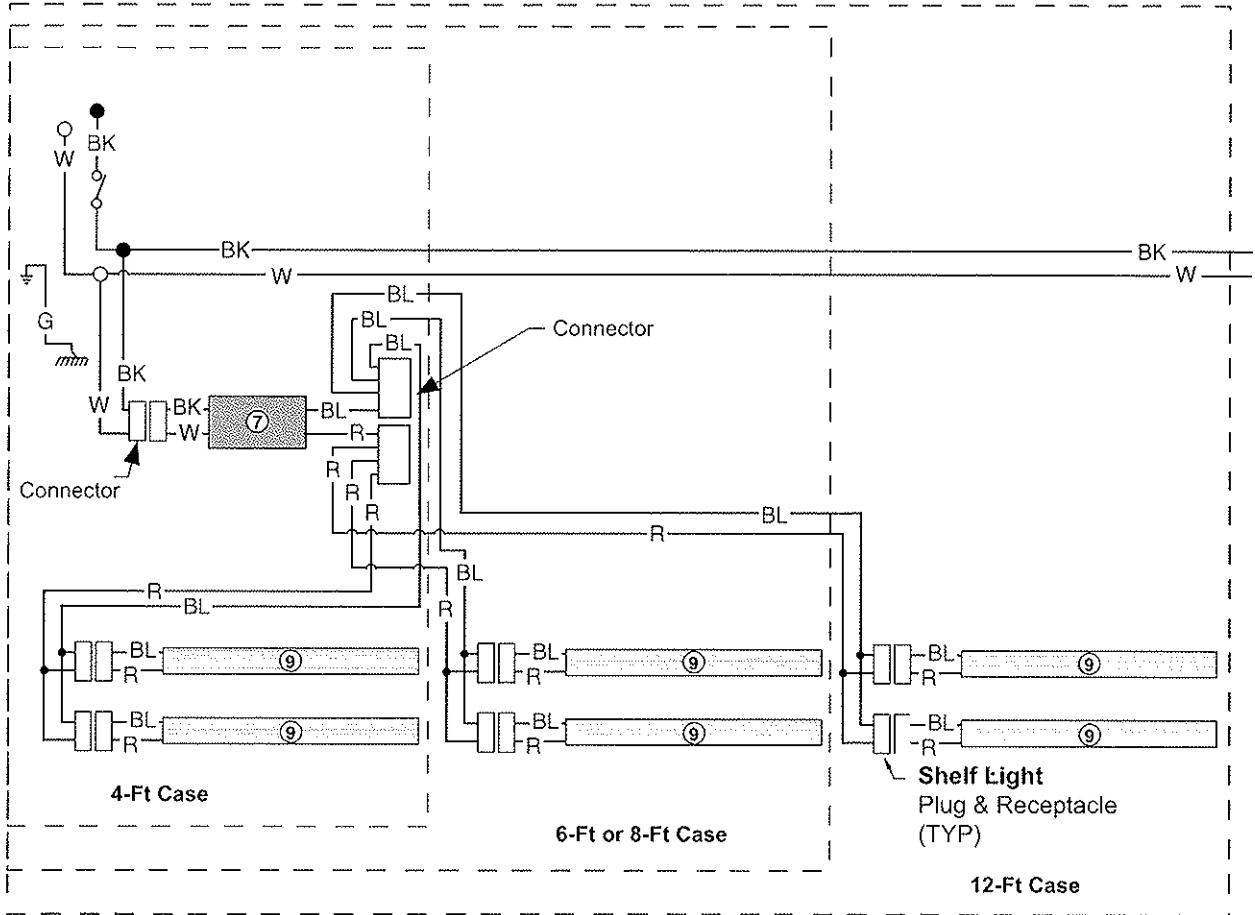
Grayed components in 12 foot models only.

R = Red G = Green BL = Blue BK = Black W = White

● = 120V POWER ○ = 120V NEUTRAL ⊥ = FIELD GROUND ≡ = CASE GROUND

Optional LED Lighting

Optional Shelf Harness and LED Light Circuits for Two Rows of Shelves



**WARNING**

All components must have mechanical ground, and the merchandiser must be grounded.

Circled numbers = Parts List Item Numbers

Grayed components in 12 foot models only.

R = Red    G = Green    BL = Blue    BK = Black    W = White

● = 120V POWER    ○ = 120V NEUTRAL    ≡ = FIELD GROUND    ≡ = CASE GROUND