

### Refrigerated Self-Service Case



MODEL SHOWN: HV56RSS

- HV38RSS
- HV48RSS
- HV56RSS
- HV74RSS

Lengths include 1" end panels  
 40"L x 42"D x 51-1/4"H  
 50"L x 42"D x 51-1/4"H  
 58"L x 42"D x 51-1/4"H  
 76"L x 42"D x 51-1/4"H

#### STANDARD FEATURES

- Breeze™ w/EnergyWise s/c refrigeration
- Clear glass shelves, lighted (LED 3500K)
- Compressor air rear intake, front discharge. Toe kick cannot be blocked
- Condensate pan (self-contained refig. only)
- Flat front panel
- Integrated average product temperature of 40°F or less
- LED 3500K top & shelf lights
- One year parts & labor; 5 year compressor warranty
- Open reach-in front
- Shelving removable and adjustable on 1" centers
- Solid back panel

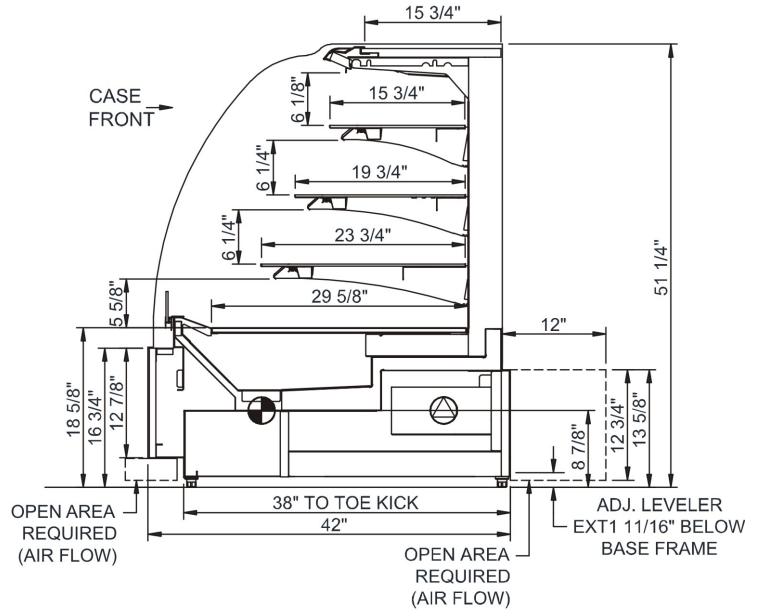
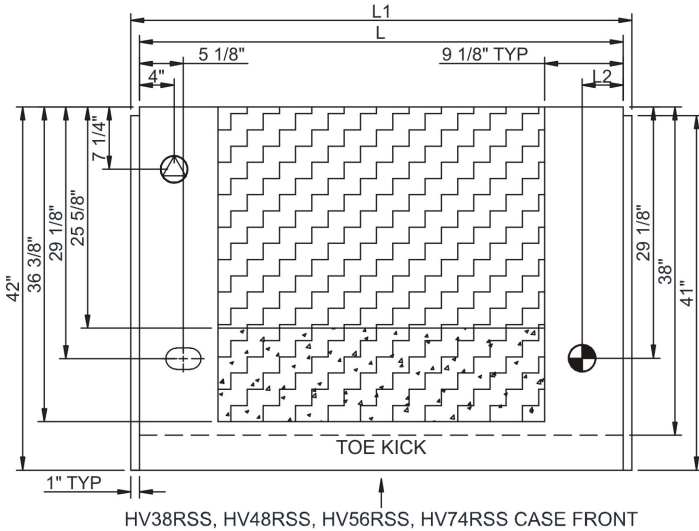
Features	Standard	Options
<b>EXTERIOR COLOR</b>	<input type="checkbox"/> Laminated (non-premium) Confirm pattern/grain direction	<input type="checkbox"/> Laminated (premium) Confirm pattern/grain direction <input type="checkbox"/> Stainless steel (includes rear of case)
<b>INTERIOR COLOR</b>	<input type="checkbox"/> Black	<input type="checkbox"/> Stainless steel <input type="checkbox"/> White
<b>REAR EXTERIOR COLOR</b>	<input type="checkbox"/> Painted - White	<input type="checkbox"/> Painted - Black <input type="checkbox"/> Stainless steel (w/stainless ext. only)
<b>TRIM COLOR</b>	<input type="checkbox"/> Black	<input type="checkbox"/> Silver
<b>BASE</b>	<input type="checkbox"/> Levelers	<input type="checkbox"/> 6"H legs <input type="checkbox"/> Casters (n/a with remote)
<b>END PANEL LEFT</b>	<input type="checkbox"/> Full end panel w/mirror interior	<input type="checkbox"/> Case to case glass end <input type="checkbox"/> Cutaway w/ glass <input type="checkbox"/> No end panel (for same case to case connect)
<b>END PANEL RIGHT</b>	<input type="checkbox"/> Full end panel w/mirror interior	<input type="checkbox"/> Case to case glass end <input type="checkbox"/> Cutaway w/ glass <input type="checkbox"/> No end panel (for same case to case connect)
<b>ELECTRICAL CONNECT</b>	<input type="checkbox"/> 6' straight blade power cord (self-cont.)	<input type="checkbox"/> 6' locking power cord (self-cont.) <input type="checkbox"/> Electrical leads (remote)
<b>REFRIGERATION</b>	<input type="checkbox"/> Breeze™ w/EnergyWise s/c refrigeration	<input type="checkbox"/> Note: Remote doesn't incl Conds unit. Floor drain reqd. <input type="checkbox"/> Remote w/thermostat, solenoid & TXV
<b>MISCELLANEOUS</b>		<input type="checkbox"/> Second year parts & labor warranty (excludes compressor)
<b>ACCESSORIES</b>		<input type="checkbox"/> Night curtain, retractable, non-locking <input type="checkbox"/> Removable wire security cover, locking

## Product Specifications

<b>Intended Environment:</b> Type I - Designed to operate in ambient conditions of 75°F with 55% relative humidity unless noted otherwise in system information below.		
<b>Zone</b>	<b>Intended Product To Be Displayed</b>	<b>Warmest Avg Prod Temp ° F</b>
All	Packaged refrigerated products	40

PLAN VIEW

SIDE VIEW



NOTE: ALL DIMENSIONS APPROXIMATE

- ELECTRICAL JUNCTION BOX (SUPPLIED WITH 6" LEADS OR POWER CORD).
- LOCATION OF DRAIN TUBE FOR REMOTE REF. ONLY (SUPPLIED WITH 3/4" OR 1 1/2" PVC TUBE).

- REFRIGERATION LINE CONNECTION.
- REMOTE FLOOR SINK & UTILITIES ACCESS AREA.

- SELF-CONTAINED CASE SERVICE ACCESS AREA.
- DRY CASE SERVICE ACCESS AREA.

Model Technical Specifications															
Model	L"	L1"	L2"	System Circuit Volts			Phs	Freq	Amps ***	Watts	Wires	NEMA Plug	SST	BTUH	Est Wt
HV38RSS	38.00	40.00	4.75	Remote(Type I)	Circuit #1	110-120	1	60	2.06	212	2+G	Leads Multiple	24.00	4226	850
				Self-Contained	Circuit #1	110-120	1	60	14.82	1,540	2+G	5-20P or L5-20P	N/A	N/A	
HV48RSS	48.00	50.00	4.75	Remote(Type I)	Circuit #1	110-120	1	60	2.16	223	2+G	Leads Multiple	24.00	5350	950
				Self-Contained	Circuit #1	110-120	1	60	16.00	1,646	2+G	5-20P or L5-20P	N/A	N/A	
HV56RSS	56.00	58.00	4.75	Self-Contained	Circuit #1	120/230V	1	60	12.00	1,976	3+G	14-20P or L14-20P	N/A	N/A	1,200
HV74RSS	74.00	76.00	4.75	Remote(Type I)	Circuit #1	110-120	1	60	3.07	296	2+G	Leads Multiple	24.00	8010	1,300
				Self-Contained	Circuit #1	120/230V	1	60	15.23	2,345	3+G	14-20P or L14-20P	N/A	N/A	

\*\*\* Does not include electric defrost on freezer models.

**Important Notes:**

- 1) ELECTRICAL NOTE: If GFCI is required, a GFCI breaker MUST be used in lieu of a GFCI receptacle
- 2) 43" Minimum door entry clearance required (Without shipping skid).
- 3) Compressor air rear intake, front discharge. Toe kick cannot be blocked.
- 4) Units are supplied with levelers. They must be adjusted during installation to ensure the unit is level and plumb. Dimensions reflect levelers extended 1 1/4".

**Regulatory Approvals:**

All Models  
 Accordance with AHRI Std 1200  
 ETL Listed to UL 471  
 ETL Listed to CAN/CSA 22.2 No. 120  
 ETL Sanitation to NSF 7



In Accordance with  
**AHRI Std 1200**

**DOE 2017**  
 Energy Efficiency  
 Compliant